

akn

from  **MECALINE**



Product catalogue

Exclusively distributed by Rubix - www.rubix.com

RUBIX

Delivery program

WITHDRAWAL SLEEVES (AH, AHX, AOH, AOHX)



From	To	Max. shaft diameter
AH 309	AHX 322	Ø105 mm
AH 2236	AH / AOH 2264	Ø300 mm
AH 2308	AH / AOH 2356	Ø260 mm
AH 3024	AOH 30/1500	Ø1400 mm
AHX 3120	AOH 31/1060	Ø1000 mm
AHX 3218	AH / AOH 32/950	Ø900 mm
AOH 39/1000	AOH 39/1500	Ø1400 mm
AH 24024	AOH 240/950	Ø900 mm
AH 24122	AOH 241/950	Ø900 mm

Are suitable for mounting bearings with a tapered bore on stepped shafts with a cylindrical seat. Since the bearing is usually supported against a shaft shoulder, the sleeve is pressed into the bore until the required bearing clearance is achieved. By screwing on a removal nut, the sleeve can be pulled out from under the bearing during dismantling.

Also available as G-versions and on request up to Ø4000 mm diameter as well as in any special version both metric or imperial.

ADAPTER SLEEVES (H, H ... H, HE, HA, SNW, SNP)



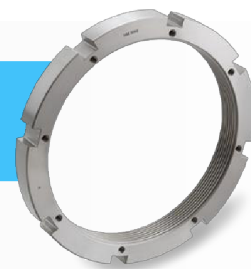
From	To	Max. shaft diameter
205	H 222	Ø100 mm
H 304	H 322	Ø100 mm
H 2304	H 2356	Ø260 mm
H 3024	H 30/1500 H	Ø1400 mm
H 3120	H 31/1500 H	Ø1400 mm
H 3260	H 32/800	Ø750 mm
H 3936	H 39/1500 H	Ø1400 mm
H 24022	H 240/1500 H	Ø1400 mm
H 24122	H 241/1500 H	Ø1400 mm
SNW 5	SNW 44	8"
SNW 109	SNP 152	9 7/16"
SNW 3024	SNP 3080	14 15/16"
SNW 3124	SNP 3180	14 15/16"
SNP 3256	SNP 3280	14 15/16"

Can be used for mounting bearings with tapered inner diameter on cylindrical shafts. Both smooth and stepped shafts are possible as mounting environments. The bearing is free and can also be positioned subsequently. Adapter sleeves are always supplied with a locknut and locking device.

Including all HE- und HA-versions (adapter sleeves for shafts with inch dimensions) and available on request up to Ø4000 mm diameter as well as in any special version both metric or imperial.

LOCKNUTS AND LOCKING DEVICES

(KM, KML, HM, HM T, HML T, HMLL T, AN, N)



From	To
KM 0	KM 40
KML 24	KML 40
HM 3044	HM 30/1500
HM 3144	HM 31/1500
HM 42 T	HM 170 T
HML 41 T	HML 170 T
HMLL 42 T	HMLL 166 T
N-00	N-44
AN-15	AN-40
N-022	N-800
MB 1	MB 56
MS 3044	MS 31/1500

Are used for mounting, dismounting and fastening of rolling bearings and other machine parts. Rolling bearings are pressed onto the taper of a shaft or adapter sleeve by means of locknuts. The adapter sleeve can also be drawn into the tapered bearing bore. Withdrawal sleeves are pushed into the tapered bearing bore using locknuts. To remove withdrawal sleeves, a removal nut is screwed onto the sleeve thread and turned against the inner ring of the bearing until it slips out of the bearing. Nuts are used to secure the bearing on the taper (except for removal nuts). They are secured against loosening with locking devices (MB, MBL or MS).

Also available as H-versions and on request up to Ø4000 mm diameter as well as in any special version both metric or imperial.

CLAMP NUTS

(KMT, KMTA, KMF2, KMI2, KMS1)



From	To
KMT 0	KMT 40
KMTA 5	KMTA 40
ZM06 (KMF2-06)	ZM200 (KMF2-200)
ZMA15/33 (KMI2-15/33)	ZMA100/140 (KMI2-100/140)

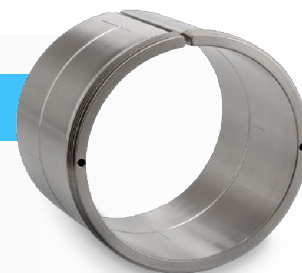
Are used for mounting and reliable securing in applications with high accuracy. The radially or axially distributed locking elements enable the nut to be precisely aligned with the shaft and can compensate for inaccuracies or deviations from other components to be secured on the shaft.

Special designs according to customer requirements are possible.

Cross-references

WITHDRAWAL SLEEVES

AKN	SKF	FAG	Description
AH / AHX ...	AH /AHX ...	AH / AHX ...	Withdrawal sleeve according to DIN / revised DIN dimensions
AOH / AOHX ...	AOH / AOHX ...	AH ... H / AHX ... H	Oil ducts on the outer and inner diameter



ADAPTER SLEEVES

AKN	SKF	FAG	Description
H ...	H ...	H ...	Adapter sleeve



ADAPTER SLEEVES WITH OIL DUCTS

injection hole on the threaded end

AKN	SKF	FAG	Description
H...H	OH ... H	H ... HG	Oil duct on the outer diameter
H ... HB	OH ... HB	H ... HGJ	Oil ducts on the outer and inner diameter
H ... HS	OH ... H/VZ423	H ... HGS	H ... H with mounting screws
H ... HBS	OH ... HB/VZ423	H ... HGJS	H ... HB with mounting screws

ADAPTER SLEEVES WITH OIL DUCTS

injection hole on the tapered end

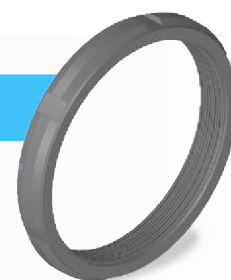
AKN	SKF	FAG	Description
H ... HK	OH ...	H ... HK	Oil duct on the outer diameter
H ... HKB	OH ... B	H ... HKJ	Oil ducts on the outer and inner diameter
H ... HKS	OH ... /VZ423	H ... HKS	H ... HK with mounting screws
H ... HKBS	OH ... B/VZ423	H ... HKJS	H ... HKB with mounting screws

LOCKNUTS AND LOCKING WASHERS



AKN	SKF	FAG	Description
KM(L)	KM(L)	KM(L)	Locknut with metric thread, KML = low sectional height
KM(L) H	-	KM(L) H	KM(L) with threaded holes for mounting screws
KM(L) HS	KM(L) /VZ423	KM(L) HS	KM(L) H with mounting screws
HM	HM	HM	Locknut with trapezoidal thread
HM H	-	HM H	HM with threaded holes for mounting screws
HM HS	HM /VZ423	HM HS	HM H with mounting screws
HM T	HM T	HMT	Removal nut with trapezoidal thread, strengthened version
HM TH	-	HM TH	HMT with threaded holes for mounting screws
HM THS	HM T/VZ423	HM THS	HM TH with mounting screws
HML(L) T	HML(L) T	HML(L) T	Removal nut with trapezoidal thread, HMLL = very low sectional height
HML(L) TH	-	HML(L) TH	HML(L) T with threaded holes for mounting screws
HML(L) THS	HML(L) T/VZ423	HML(L) THS	HML(L) TH with mounting screws
MB	MB	MB	Locking washer with metric dimensions
MB A	MB A	MB A	MB A Locking washer strengthened version
MS	MS	MS	MS Locking clip with screws

PRECISION CLAMP NUTS



AKN	SKF	FAG	Description
KMT	KMT	-	Precision clamp nut with three radial clamping pins
KMTA	KMTA	-	Precision clamp nut, heavy duty, with three radial clamping pins
ZM....	-	ZM	Precision clamp nut with two radial clamping pins
ZMA....	-	ZMA	Precision clamp nut with two radial clamping pins, heavy duty

Product content

Withdrawal sleeves	7
Adapter sleeves.....	16
KM/KML Locknuts	22
HM/HML Locknuts.....	24
MB Lock washers.....	27
MS Locking clips.....	29
KMTA Clamp nuts	30
KMT Clamp nuts	31
ZM Clamp nuts.....	32
ZMA Clamp nuts.....	33

Other terminology

> Generic code	> Screw
> Rubix engineering code	> Dismounting nut
> Weight	> Locknut
	> Locking device

Contenu

Manchon de démontage	7
Manchon de serrage.....	16
KM/KML Écrou à encoches	22
HM/HML Écrou à encoches.....	24
MB Rondelle de blocage.....	27
MS Étriers-freins	29
KMTA Écrous de serrage	30
KMT Écrous de serrage.....	31
ZM Écrous de serrage.....	32
ZMA Écrous de serrage.....	33

Autres terminologies

> Code générique	> Vis
> Code d'ingénierie Rubix	> Écrou de démontage
> Poids	> Écrou à encoches
	> Système de verouillage

Indice prodotti

Bussole di pressione	7
Bussole di trazione	16
KM/KML Ghiera di bloccaggio	22
HM/HML Ghiera di bloccaggio	24
MB Rosette di sicurezza.....	27
MS Staffe di bloccaggio	29
KMTA Ghiera di bloccaggio	30
KMT Ghiera di bloccaggio.....	31
ZM Ghiera di bloccaggio	32
ZMA Ghiera di bloccaggio.....	33

Altra terminologia

> Codice generico	> Vite
> Codice Rubix eng	> Dado di smontaggio
> Peso	> Ghiera
	> Dispositivo de bloccaggio

Contendio

Manguitos de desmontaje.....	7
Manguitos de montaje.....	16
KM/KML Tuercas de bloqueo.....	22
HM/HML Tuercas de bloqueo	24
MB Arandela de bloqueo	27
MS Clips de bloqueo.....	29
KMTA Tuercas de abrazadera.....	30
KMT Tuercas de abrazadera.....	31
ZM Tuercas de abrazadera	32
ZMA Tuercas de abrazadera	33

Otra terminología

> Código genérico	> Tornillo
> Código de Rubix engineering	> Tuerca desmontable
> Peso	> Tuercas de bloqueo
	> Dispositivo de bloqueo

Inhaltsverzeichnis

Abziehhülsen	7
Spannhülsen.....	16
KM/KML Wellenmutter.....	22
HM/HML Wellenmutter.....	24
MB Sicherungsbleche	27
MS Sicherungsbügel.....	29
KMTA Klemmmutter.....	30
KMT Klemmmutter.....	31
ZM Klemmmutter	32
ZMA Klemmmutter	33

Andere Terminologie

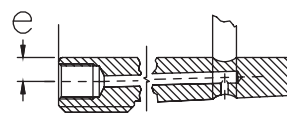
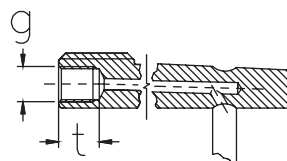
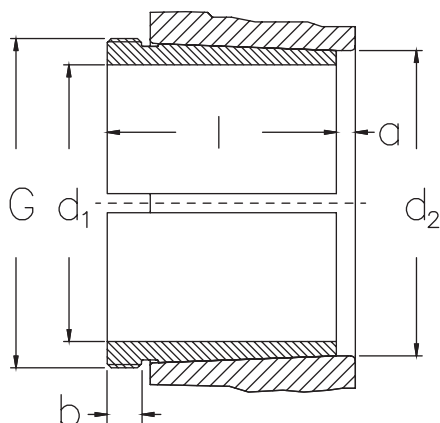
> Allgemeiner code	> Schrauben
> Rubix eng code	> Abdrückmutter
> Gewicht	> Wellenmutter
	> Sicherung

Zawartość

Tuleje wciskane.....	7
Tuleje wciągane.....	16
KM/KML Nakrętki łożyskowe.....	22
HM/HML Nakrętki łożyskowe	24
MB Podkładki zębate	27
MS Podkładki kształtowe.....	29
KMTA Nakrętki łożyskowe z wkrętem zabezpieczającym ..	30
KMT Nakrętki łożyskowe z wkrętem zabezpieczającym...	31
ZM Nakrętki łożyskowe z wkrętem zabezpieczającym	32
ZMA Nakrętki łożyskowe z wkrętem zabezpieczającym...	33

Inna terminologia

> Kod ogólny	> Śruba
> Kod inżynierski Rubix	> Nakrętka do demontażu
> Waga	> Nakrętka do montażu
	> Element zanieczyszczający



AOH(X) & AOH(X) .. G

Generic code	Rubix engineering code	d1	d2	l	a	G	b	g	e	t	Weight (kg)	Dismounting nut	Locknut	Locking device
		(mm)												
AH308-AKN	890519	35	40	29	3	M 45x1.5	6	-	-	-	0.09	KM9-AKN	KM7-AKN	MB7-AKN
AH2308-AKN	890486	35	40	40	3	M 45x1.5	7	-	-	-	0.13	KM9-AKN	KM7-AKN	MB7-AKN
AH309-AKN	890520	40	45	31	3	M 50x1.5	6	-	-	-	0.11	KM10-AKN	KM8-AKN	MB8-AKN
AH2309-AKN	890487	40	45	44	3	M 50x1.5	7	-	-	-	0.16	KM10-AKN	KM8-AKN	MB8-AKN
AH310-AKN	891203	45	50	35	3	M 60x2	7	-	-	-	0.16	KM12-AKN	KM9-AKN	MB9-AKN
AHX310-AKN	890567	45	50	35	3	M 55x2	7	-	-	-	0.14	KM11-AKN	KM9-AKN	MB9-AKN
AH2310-AKN	891413	45	50	50	3	M 60x2	8	-	-	-	0.23	KM12-AKN	KM9-AKN	MB9-AKN
AHX2310-AKN	890541	45	50	50	3	M 55x2	9	-	-	-	0.21	KM11-AKN	KM9-AKN	MB9-AKN
AH311-AKN	891204	50	55	37	3	M 65x2	7	-	-	-	0.19	KM13-AKN	KM10-AKN	MB10-AKN
AHX311-AKN	890568	50	55	37	3	M 60x2	7	-	-	-	0.16	KM12-AKN	KM10-AKN	MB10-AKN
AH2311-AKN	891414	50	55	54	3	M 65x2	9	-	-	-	0.29	KM13-AKN	KM10-AKN	MB10-AKN
AHX2311-AKN	890542	50	55	54	3	M 60x2	10	-	-	-	0.25	KM12-AKN	KM10-AKN	MB10-AKN
AH312-AKN	890521	55	60	40	3	M 70x2	8	-	-	-	0.22	KM14-AKN	KM11-AKN	MB11-AKN
AHX312-AKN	890569	55	60	40	3	M 65x2	8	-	-	-	0.19	KM13-AKN	KM11-AKN	MB11-AKN
AH2312-AKN	891415	55	60	57	3	M 70x2	10	-	-	-	0.34	KM14-AKN	KM11-AKN	MB11-AKN
AHX2312-AKN	890543	55	60	58	3	M 65x2	11	-	-	-	0.30	KM13-AKN	KM11-AKN	MB11-AKN
AH313-AKN	890522	60	65	42	3	M 75x2	8	-	-	-	0.25	KM15-AKN	KM12-AKN	MB12-AKN
AH313G-AKN	890523	60	65	42	3	M 70x2	8	-	-	-	0.23	KM14-AKN	KM12-AKN	MB12-AKN
AH2313-AKN	890488	60	65	61	3	M 75x2	12	-	-	-	0.40	KM15-AKN	KM12-AKN	MB12-AKN
AH2313G-AKN	890489	60	65	61	3	M 70x2	12	-	-	-	0.40	KM14-AKN	KM12-AKN	MB12-AKN
AHX2313-AKN	891238	60	65	61	3	M 75x2	12	-	-	-	0.40	KM15-AKN	KM12-AKN	MB12-AKN
AH314-AKN	891205	65	70	43	4	M 80x2	8	-	-	-	0.28	KM16-AKN	KM13-AKN	MB13-AKN
AHX2314-AKN	890544	65	70	64	4	M 80x2	12	-	-	-	0.47	KM16-AKN	KM13-AKN	MB13-AKN
AHX2314G-AKN	890545	65	70	64	4	M 75x2	12	-	-	-	0.47	KM15-AKN	KM13-AKN	MB13-AKN

 Withdrawal sleeves

 Manguitos de desmontaje

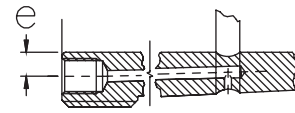
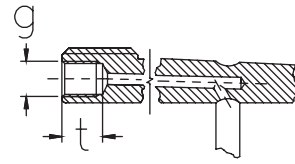
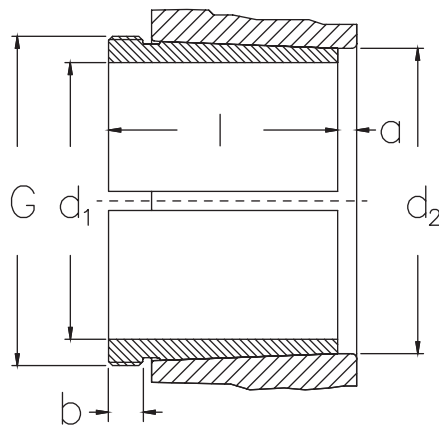
 Manchon de démontage

 Abziehhülsen

 Bussole di pressione

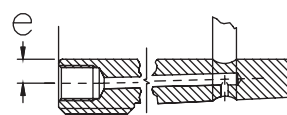
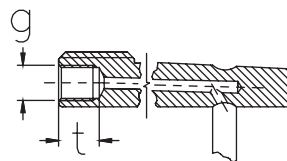
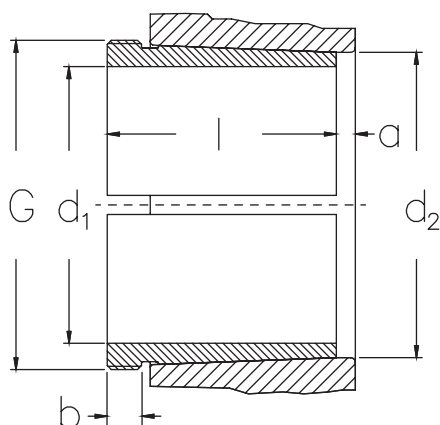
 Tuleje wciskane

AH/AHX
AOH/AOHX



AOH(X) & AOH(X) .. G

Generic code	Rubix engineering code	d1	d2	l	a	G	b	g	e	t	Weight (kg)	Dismounting nut	Locknut	Locking device
		(mm)												
AH2314-AKN	891416	65	70	65	4	M 85x2	10	-	-	-	0.53	KM17-AKN	KM13-AKN	MB13-AKN
AH315-AKN	890531	70	75	45	4	M 85x2	8	-	-	-	0.31	KM17-AKN	KM14-AKN	MB14-AKN
AH315G-AKN	890532	70	75	45	4	M 80x2	8	-	-	-	0.30	KM16-AKN	KM14-AKN	MB14-AKN
AHX2315-AKN	890546	70	75	68	4	M 85x2	12	-	-	-	0.53	KM17-AKN	KM14-AKN	MB14-AKN
AHX2315G-AKN	890547	70	75	68	4	M 80x2	12	-	-	-	0.53	KM16-AKN	KM14-AKN	MB14-AKN
AH2315-AKN	891417	70	75	69	4	M 90x2	12	-	-	-	0.61	KM18-AKN	KM14-AKN	MB14-AKN
AH316-AKN	890533	75	80	48	4	M 90x2	8	-	-	-	0.37	KM18-AKN	KM15-AKN	MB15-AKN
AHX2316-AKN	890548	75	80	71	4	M 90x2	12	-	-	-	0.60	KM18-AKN	KM15-AKN	MB15-AKN
AH2316-AKN	891418	75	80	72	4	M 95x2	12	-	-	-	0.67	KM19-AKN	KM15-AKN	MB15-AKN
AH317-AKN	891208	80	85	52	4	M 100x2	9	-	-	-	0.48	KM20-AKN	KM16-AKN	MB16-AKN
AHX317-AKN	890576	80	85	52	4	M 95x2	9	-	-	-	0.43	KM19-AKN	KM16-AKN	MB16-AKN
AHX2317-AKN	890549	80	85	74	4	M 95x2	13	-	-	-	0.67	KM19-AKN	KM16-AKN	MB16-AKN
AH2317-AKN	891419	80	85	75	4	M 100x2	13	-	-	-	0.75	KM20-AKN	KM16-AKN	MB16-AKN
AH318-AKN	891209	85	90	53	4	M 105x2	9	-	-	-	0.52	KM21-AKN	KM17-AKN	MB17-AKN
AHX318-AKN	890577	85	90	53	4	M 100x2	9	-	-	-	0.46	KM20-AKN	KM17-AKN	MB17-AKN
AHX3218-AKN	890580	85	90	63	4	M 100x2	10	-	-	-	0.58	KM20-AKN	KM17-AKN	MB17-AKN
AHX2318-AKN	890550	85	90	79	4	M 100x2	14	-	-	-	0.78	KM20-AKN	KM17-AKN	MB17-AKN
AH2318-AKN	891420	85	90	80	4	M 105x2	14	-	-	-	0.85	KM21-AKN	KM17-AKN	MB17-AKN
AH319-AKN	891210	90	95	57	4	M 110x2	10	-	-	-	0.59	KM22-AKN	KM18-AKN	MB18-AKN
AHX319-AKN	890578	90	95	57	4	M 105x2	10	-	-	-	0.53	KM21-AKN	KM18-AKN	MB18-AKN
AH2319-AKN	891421	90	95	85	4	M 110x2	15	-	-	-	0.98	KM22-AKN	KM18-AKN	MB18-AKN
AHX2319-AKN	890551	90	95	85	4	M 105x2	16	-	-	-	0.89	KM21-AKN	KM18-AKN	MB18-AKN
AHX320-AKN	890579	95	100	59	4	M 110x2	10	-	-	-	0.58	KM22-AKN	KM19-AKN	MB19-AKN
AHX3120-AKN	890570	95	100	64	4	M 110x2	11	-	-	-	0.65	KM22-AKN	KM19-AKN	MB19-AKN
AHX3220-AKN	890581	95	100	73	4	M 110x2	11	-	-	-	0.77	KM22-AKN	KM19-AKN	MB19-AKN



AOH(X) & AOH(X) .. G

Generic code	Rubix engineering code	d1	d2	l	a	G	b	g	e	t	Weight (kg)	Dismounting nut	Locknut	Locking device
		(mm)												
AH2320-AKN	891422	95	100	90	4	M 120x2	15	-	-	-	1.23	KM24-AKN	KM19-AKN	MB19-AKN
AHX2320-AKN	890552	95	100	90	4	M 110x2	16	-	-	-	1.00	KM22-AKN	KM19-AKN	MB19-AKN
AH322-AKN	891211	100	110	63	4	M 130x2	12	-	-	-	1.26	KM26-AKN	KM20-AKN	MB20-AKN
AH3122-AKN	891212	100	110	68	4	M 125x2	11	-	-	-	1.28	KM25-AKN	KM20-AKN	MB20-AKN
AH2322-AKN	891161	100	110	98	4	M 130x2	16	-	-	-	2.11	KM26-AKN	KM20-AKN	MB20-AKN
AHX322-AKN	891242	105	110	63	4	M 120x2	12	-	-	-	0.66	KM24-AKN	KM21-AKN	MB21-AKN
AHX3122-AKN	890571	105	110	68	4	M 120x2	11	-	-	-	0.76	KM24-AKN	KM21-AKN	MB21-AKN
AHX3222-AKN	891243	105	110	82	4	M 125x2	11	-	-	-	1.04	KM25-AKN	KM21-AKN	MB21-AKN
AHX3222G-AKN	890582	105	110	82	4	M 120x2	11	-	-	-	1.04	KM24-AKN	KM21-AKN	MB21-AKN
AH24122-AKN	890502	105	110	82	9	M 115x2	13	-	-	-	0.71	KM23-AKN	KM21-AKN	MB21-AKN
AHX2322-AKN	890553	105	110	98	4	M 125x2	16	-	-	-	1.35	KM25-AKN	KM21-AKN	MB21-AKN
AHX2322G-AKN	890554	105	110	98	4	M 120x2	16	-	-	-	1.26	KM24-AKN	KM21-AKN	MB21-AKN
AH3124-AKN	891213	110	120	75	4	M 140x2	12	-	-	-	1.67	KM28-AKN	KM22-AKN	MB22-AKN
AH2324-AKN	891162	110	120	105	4	M 140x2	17	-	-	-	2.47	KM28-AKN	KM22-AKN	MB22-AKN
AHX3024-AKN	890563	115	120	60	4	M 130x2	13	-	-	-	0.75	KM26-AKN	KM23-AKN	MB23-AKN
AH24024-AKN	891175	115	120	73	9	M 125x2	13	-	-	-	0.70	KM25-AKN	KM23-AKN	MB23-AKN
AHX3124-AKN	890572	115	120	75	4	M 130x2	12	-	-	-	0.95	KM26-AKN	KM23-AKN	MB23-AKN
AHX3224-AKN	891244	115	120	90	4	M 135x2	13	-	-	-	1.30	KM27-AKN	KM23-AKN	MB23-AKN
AHX3224G-AKN	890583	115	120	90	4	M 130x2	13	-	-	-	1.30	KM26-AKN	KM23-AKN	MB23-AKN
AH24124-AKN	890503	115	120	93	9	M 130x2	13	-	-	-	1.00	KM26-AKN	KM23-AKN	MB23-AKN
AHX2324-AKN	890555	115	120	105	4	M 135x2	17	-	-	-	1.60	KM27-AKN	KM23-AKN	MB23-AKN
AHX2324G-AKN	890556	115	120	105	4	M 130x2	17	-	-	-	1.60	KM26-AKN	KM23-AKN	MB23-AKN
AH3026-AKN	891189	120	130	67	4	M 140x2	14	-	-	-	1.41	KM28-AKN	KM24-AKN	MB24-AKN
AH3126-AKN	891214	120	130	78	4	M 150x2	12	-	-	-	1.87	KM30-AKN	KM24-AKN	MB24-AKN
AH2326-AKN	891163	120	130	115	4	M 150x2	19	-	-	-	3.02	KM30-AKN	KM24-AKN	MB24-AKN

 Withdrawal sleeves

 Manchon de démontage

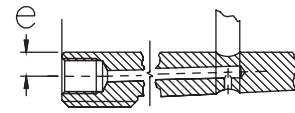
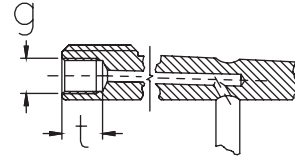
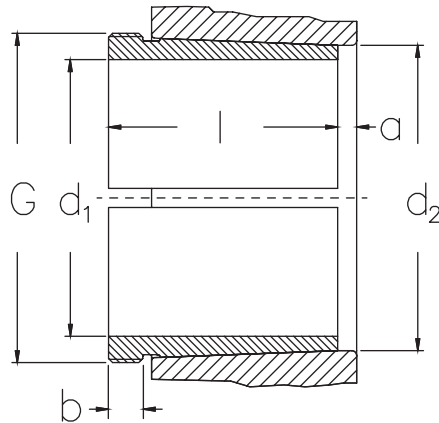
 Bussole di pressione

 Manguitos de desmontaje

 Abziehhülsen

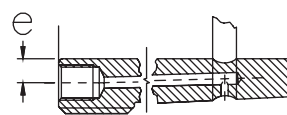
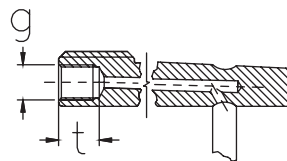
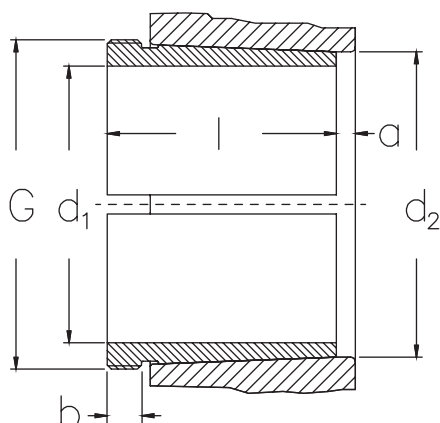
 Tuleje wciskane

AH/AHX
AOH/AOHX



AOH(X) & AOH(X) .. G

Generic code	Rubix engineering code	d1	d2	l	a	G	b	g	e	t	Weight (kg)	Dismounting nut	Locknut	Locking device
		(mm)												
AHX3026-AKN	890564	125	130	67	4	M 140x2	14	-	-	-	0.93	KM28-AKN	KM25-AKN	MB25-AKN
AHX3126-AKN	890573	125	130	78	4	M 140x2	12	-	-	-	1.10	KM28-AKN	KM25-AKN	MB25-AKN
AH24026-AKN	891176	125	130	83	10	M 135x2	14	-	-	-	0.88	KM27-AKN	KM25-AKN	MB25-AKN
AH24126-AKN	890504	125	130	94	10	M 140x2	14	-	-	-	1.15	KM28-AKN	KM25-AKN	MB25-AKN
AHX3226-AKN	890584	125	130	98	4	M 145x2	15	-	-	-	1.58	KM29-AKN	KM25-AKN	MB25-AKN
AHX2326-AKN	890557	125	130	115	4	M 145x2	19	-	-	-	1.97	KM29-AKN	KM25-AKN	MB25-AKN
AHX2326G-AKN	890558	125	130	115	4	M 140x2	19	-	-	-	1.97	KM28-AKN	KM25-AKN	MB25-AKN
AH3028-AKN	891190	130	140	68	5	M 150x2	14	-	-	-	1.55	KM30-AKN	KM26-AKN	MB26-AKN
AH3128-AKN	891215	130	140	83	5	M 160x3	14	-	-	-	2.21	KM32-AKN	KM26-AKN	MB26-AKN
AH2328-AKN	891164	130	140	125	5	M 160x3	20	-	-	-	3.60	KM32-AKN	KM26-AKN	MB26-AKN
AHX3028-AKN	890565	135	140	68	5	M 150x2	14	-	-	-	1.01	KM30-AKN	KM27-AKN	MB27-AKN
AHX3128-AKN	890574	135	140	83	5	M 150x2	14	-	-	-	1.28	KM30-AKN	KM27-AKN	MB27-AKN
AH24028-AKN	890498	135	140	83	10	M 145x2	14	-	-	-	0.95	KM29-AKN	KM27-AKN	MB27-AKN
AH24128-AKN	890505	135	140	99	10	M 150x2	14	-	-	-	1.30	KM30-AKN	KM27-AKN	MB27-AKN
AHX3228-AKN	890585	135	140	104	5	M 155x3	15	-	-	-	1.84	KM31-AKN	KM27-AKN	MB27-AKN
AHX3228G-AKN	890586	135	140	104	5	M 150x2	15	-	-	-	1.80	KM30-AKN	KM27-AKN	MB27-AKN
AHX2328-AKN	890559	135	140	125	5	M 155x3	20	-	-	-	2.33	KM31-AKN	KM27-AKN	MB27-AKN
AHX2328G-AKN	890560	135	140	125	5	M 150x2	20	-	-	-	2.22	KM30-AKN	KM27-AKN	MB27-AKN
AH3130-AKN	891216	140	150	96	5	M 170x3	15	-	-	-	2.70	KM34-AKN	KM28-AKN	MB28-AKN
AH2330-AKN	891165	140	150	135	5	M 170x3	24	-	-	-	4.22	KM34-AKN	KM28-AKN	MB28-AKN
AHX3030-AKN	890566	145	150	72	5	M 160x3	15	-	-	-	1.15	KM32-AKN	KM29-AKN	MB29-AKN
AH24030-AKN	890499	145	150	90	11	M 155x3	15	-	-	-	1.05	KM31-AKN	KM29-AKN	MB29-AKN
AHX3130-AKN	890575	145	150	96	5	M 165x3	15	-	-	-	1.79	KM33-AKN	KM29-AKN	MB29-AKN
AHX3230-AKN	890587	145	150	114	5	M 165x3	17	-	-	-	2.22	KM33-AKN	KM29-AKN	MB29-AKN



AOH(X) & AOH(X) .. G

Generic code	Rubix engineering code	d1	d2	l	a	G	b	g	e	t	Weight (kg)	Dismounting nut	Locknut	Locking device
		(mm)												
AH24130-AKN	890506	145	150	115	11	M 160x3	15	-	-	-	1.55	KM32-AKN	KM29-AKN	MB29-AKN
AHX2330-AKN	890561	145	150	135	5	M 165x3	24	-	-	-	2.82	KM33-AKN	KM29-AKN	MB29-AKN
AHX2330G-AKN	890562	145	150	135	5	M 160x3	24	-	-	-	2.68	KM32-AKN	KM29-AKN	MB29-AKN
AH3032-AKN	890512	150	160	77	5	M 170x3	16	-	-	-	2.06	KM34-AKN	KM30-AKN	MB30-AKN
AH24032-AKN	890500	150	160	95	11	M 170x3	15	-	-	-	2.30	KM34-AKN	KM30-AKN	MB30-AKN
AH3132-AKN	891217	150	160	103	5	M 180x3	16	-	-	-	3.21	KM36-AKN	KM30-AKN	MB30-AKN
AH3132G-AKN	890524	150	160	103	5	M 170x3	16	-	-	-	3.00	KM34-AKN	KM30-AKN	MB30-AKN
AOH3132-AKN	891274	150	160	103	5	M 180x3	16	M6	4	9	3.21	KM36-AKN	KM30-AKN	MB30-AKN
AH3232-AKN	890534	150	160	124	6	M 180x3	20	-	-	-	4.08	KM36-AKN	KM30-AKN	MB30-AKN
AH3232G-AKN	890535	150	160	124	6	M 170x3	20	-	-	-	4.08	KM34-AKN	KM30-AKN	MB30-AKN
AH24132-AKN	890507	150	160	124	11	M 170x3	15	-	-	-	3.00	KM34-AKN	KM30-AKN	MB30-AKN
AH2332-AKN	890490	150	160	140	6	M 180x3	24	-	-	-	4.72	KM36-AKN	KM30-AKN	MB30-AKN
AH2332G-AKN	891167	150	160	140	6	M 170x3	24	-	-	-	4.24	KM34-AKN	KM30-AKN	MB30-AKN
AH3034-AKN	890513	160	170	85	5	M 180x3	17	-	-	-	2.43	KM36-AKN	KM32-AKN	MB32-AKN
AOH3034-AKN	891263	160	170	85	5	M 180x3	17	M6	4	9	2.43	KM36-AKN	KM32-AKN	MB32-AKN
AH3134-AKN	891218	160	170	104	5	M 190x3	16	-	-	-	3.40	KM38-AKN	KM32-AKN	MB32-AKN
AH3134G-AKN	890525	160	170	104	5	M 180x3	16	-	-	-	3.20	KM36-AKN	KM32-AKN	MB32-AKN
AH24034-AKN	891180	160	170	106	11	M 180x3	16	-	-	-	2.70	KM36-AKN	KM32-AKN	MB32-AKN
AH24134-AKN	890508	160	170	125	11	M 180x3	16	-	-	-	3.25	KM36-AKN	KM32-AKN	MB32-AKN
AH3234-AKN	891230	160	170	134	6	M 190x3	24	-	-	-	4.80	KM38-AKN	KM32-AKN	MB32-AKN
AH3234G-AKN	890536	160	170	134	6	M 180x3	24	-	-	-	4.35	KM36-AKN	KM32-AKN	MB32-AKN
AH2334-AKN	890491	160	170	146	6	M 190x3	24	-	-	-	5.25	KM38-AKN	KM32-AKN	MB32-AKN
AH2334G-AKN	890492	160	170	146	6	M 180x3	24	-	-	-	4.85	KM36-AKN	KM32-AKN	MB32-AKN
AH3036-AKN	890514	170	180	92	6	M 190x3	17	-	-	-	2.81	KM38-AKN	KM34-AKN	MB34-AKN

 Withdrawal sleeves

 Manchon de démontage

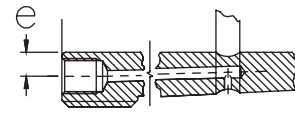
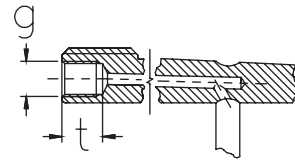
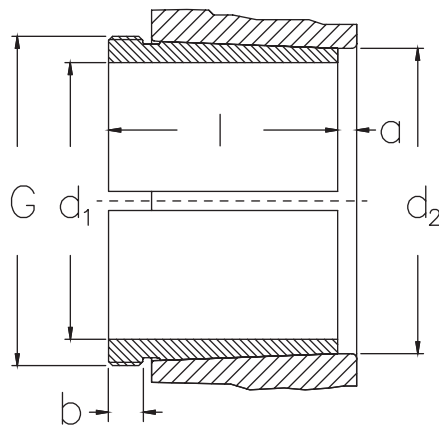
 Bussole di pressione

 Manguitos de desmontaje

 Abziehhülsen

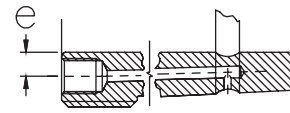
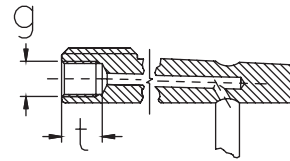
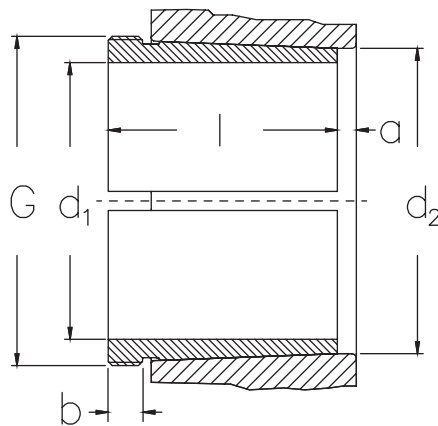
 Tuleje wciskane

AH/AHX
AOH/AOHX



AOH(X) & AOH(X) .. G

Generic code	Rubix engineering code	d1	d2	l	a	G	b	g	e	t	Weight (kg)	Dismounting nut	Locknut	Locking device
		(mm)												
AH2236-AKN	891407	170	180	105	5	M 200x3	17	-	-	-	3.73	KM40-AKN	KM34-AKN	MB34-AKN
AH2236G-AKN	890484	170	180	105	5	M 190x3	17	-	-	-	3.32	KM38-AKN	KM34-AKN	MB34-AKN
AH3136-AKN	891220	170	180	116	6	M 200x3	19	-	-	-	4.22	KM40-AKN	KM34-AKN	MB34-AKN
AH3136G-AKN	890526	170	180	116	6	M 190x3	19	-	-	-	4.00	KM38-AKN	KM34-AKN	MB34-AKN
AH24036-AKN	891181	170	180	116	11	M 190x3	16	-	-	-	3.20	KM38-AKN	KM34-AKN	MB34-AKN
AH24136-AKN	890509	170	180	134	11	M 190x3	16	-	-	-	3.75	KM38-AKN	KM34-AKN	MB34-AKN
AH3236-AKN	890537	170	180	140	6	M 200x3	24	-	-	-	5.32	KM40-AKN	KM34-AKN	MB34-AKN
AOH3236-AKN	890605	170	180	140	6	M 200x3	24	M6	5	9	5.32	KM40-AKN	KM34-AKN	MB34-AKN
AH3236G-AKN	890538	170	180	140	6	M 190x3	24	-	-	-	4.77	KM38-AKN	KM34-AKN	MB34-AKN
AH2336-AKN	891168	170	180	154	6	M 200x3	26	-	-	-	5.83	KM40-AKN	KM34-AKN	MB34-AKN
AH2336G-AKN	890493	170	180	154	6	M 190x3	26	-	-	-	5.49	KM38-AKN	KM34-AKN	MB34-AKN
AH3038-AKN	890515	180	190	96	6	Tr 205x4	18	-	-	-	3.32	HML41T-AKN	KM36-AKN	MB36-AKN
AOH3038-AKN	891264	180	190	96	6	Tr 205x4	18	M6	4	9	3.32	HML41T-AKN	KM36-AKN	MB36-AKN
AH3038G-AKN	891194	180	190	96	6	M 200x3	18	-	-	-	3.28	KM40-AKN	KM36-AKN	MB36-AKN
AH2238-AKN	891408	180	190	112	5	Tr 210x4	18	-	-	-	4.25	HM42T-AKN	KM36-AKN	MB36-AKN
AH2238G-AKN	891409	180	190	112	5	M 200x3	18	-	-	-	3.80	KM40-AKN	KM36-AKN	MB36-AKN
AH24038-AKN	891182	180	190	118	13	M 200x3	18	-	-	-	3.55	KM40-AKN	KM36-AKN	MB36-AKN
AH3138-AKN	890527	180	190	125	6	Tr 210x4	20	-	-	-	4.89	HM42T-AKN	KM36-AKN	MB36-AKN
AH3138G-AKN	890528	180	190	125	6	M 200x3	20	-	-	-	4.89	KM40-AKN	KM36-AKN	MB36-AKN
AH3238-AKN	891232	180	190	145	7	Tr 210x4	25	-	-	-	5.90	HM42T-AKN	KM36-AKN	MB36-AKN
AH3238G-AKN	890539	180	190	145	7	M 200x3	25	-	-	-	5.40	KM40-AKN	KM36-AKN	MB36-AKN
AH24138-AKN	890510	180	190	146	13	M 200x3	18	-	-	-	4.45	KM40-AKN	KM36-AKN	MB36-AKN
AH2338-AKN	890494	180	190	160	7	Tr 210x4	26	-	-	-	6.64	HM42T-AKN	KM36-AKN	MB36-AKN
AH2338G-AKN	890495	180	190	160	7	M 200x3	26	-	-	-	6.04	KM40-AKN	KM36-AKN	MB36-AKN



AOH(X) & AOH(X) .. G

Generic code	Rubix engineering code	d1	d2	l	a	G	b	g	e	t	Weight (kg)	Dismounting nut	Locknut	Locking device
AH3040-AKN	890516	190	200	102	6	Tr 215x4	19	-	-	-	3.80	HML43T-AKN	KM38-AKN	MB38-AKN
AH3040G-AKN	891196	190	200	102	6	Tr 210x4	19	-	-	-	3.80	HM42T-AKN	KM38-AKN	MB38-AKN
AH2240-AKN	890485	190	200	118	5	Tr 220x4	19	-	-	-	4.68	HM44T-AKN	KM38-AKN	MB38-AKN
AH24040-AKN	890501	190	200	127	13	Tr 210x4	18	-	-	-	4.00	HM42T-AKN	KM38-AKN	MB38-AKN
AH3140-AKN	890529	190	200	134	6	Tr 220x4	21	-	-	-	5.49	HM44T-AKN	KM38-AKN	MB38-AKN
AOH3140-AKN	891275	190	200	134	6	Tr 220x4	21	M6	5	9	5.55	HM44T-AKN	KM38-AKN	MB38-AKN
AH3240-AKN	891234	190	200	153	7	Tr 220x4	25	-	-	-	6.68	HM44T-AKN	KM38-AKN	MB38-AKN
AH24140-AKN	890511	190	200	158	13	Tr 210x4	18	-	-	-	5.05	HM42T-AKN	KM38-AKN	MB38-AKN
AH2340-AKN	890496	190	200	170	7	Tr 220x4	30	-	-	-	7.54	HM44T-AKN	KM38-AKN	MB38-AKN
AOH2340-AKN	891247	190	200	170	7	Tr 220x4	30	M6	5	9	7.54	HM44T-AKN	KM38-AKN	MB38-AKN
AH3044-AKN	891197	200	220	111	6	Tr 235x4	20	-	-	-	7.40	HML47T-AKN	KM40-AKN	MB40-AKN
AOH3044-AKN	891265	200	220	111	6	Tr 235x4	20	G1/8	8	12	7.40	HML47T-AKN	KM40-AKN	MB40-AKN
AOH3044G-AKN	890595	200	220	111	6	Tr 230x4	20	G1/8	7	12	7.29	HM46T-AKN	KM40-AKN	MB40-AKN
AH2244-AKN	891410	200	220	130	6	Tr 240x4	20	-	-	-	9.10	HM48T-AKN	KM40-AKN	MB40-AKN
AOH2244-AKN	891246	200	220	130	6	Tr 240x4	20	G1/4	9	15	9.10	HM48T-AKN	KM40-AKN	MB40-AKN
AOH24044-AKN	890591	200	220	138	14	Tr 230x4	20	G1/8	7	12	8.20	HM46T-AKN	KM40-AKN	MB40-AKN
AH3144-AKN	890530	200	220	145	6	Tr 240x4	23	-	-	-	10.40	HM48T-AKN	KM40-AKN	MB40-AKN
AOH3144-AKN	890601	200	220	145	6	Tr 240x4	23	G1/4	9	15	10.40	HM48T-AKN	KM40-AKN	MB40-AKN
AOH24144-AKN	891258	200	220	170	14	Tr 230x4	20	G1/8	7	12	10.50	HM46T-AKN	KM40-AKN	MB40-AKN
AH2344-AKN	891172	200	220	181	8	Tr 240x4	30	-	-	-	13.50	HM48T-AKN	KM40-AKN	MB40-AKN
AOH2344-AKN	890589	200	220	181	8	Tr 240x4	30	G1/4	9	15	13.50	HM48T-AKN	KM40-AKN	MB40-AKN
AH3048-AKN	890517	220	240	116	7	Tr 260x4	21	-	-	-	8.75	HM52T-AKN	HM44T-AKN	MB44-AKN
AOH3048-AKN	890596	220	240	116	7	Tr 260x4	21	G1/4	9	15	8.75	HM52T-AKN	HM44T-AKN	MB44-AKN
AOH24048-AKN	890592	220	240	138	15	Tr 250x4	20	G1/8	7	12	9.29	HM50T-AKN	HM44T-AKN	MB44-AKN

 Withdrawal sleeves

 Manguitos de desmontaje

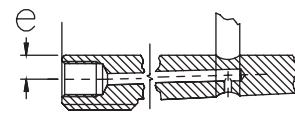
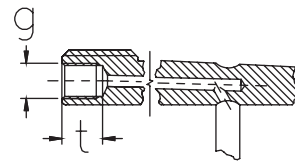
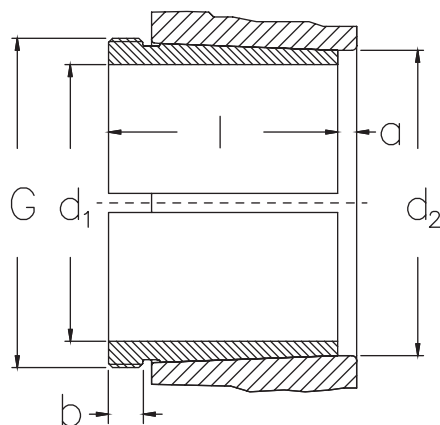
 Manchon de démontage

 Abziehhülsen

 Bussole di pressione

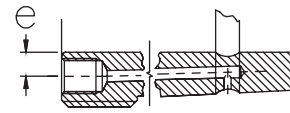
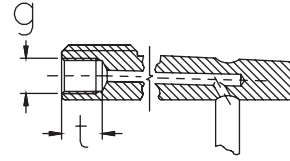
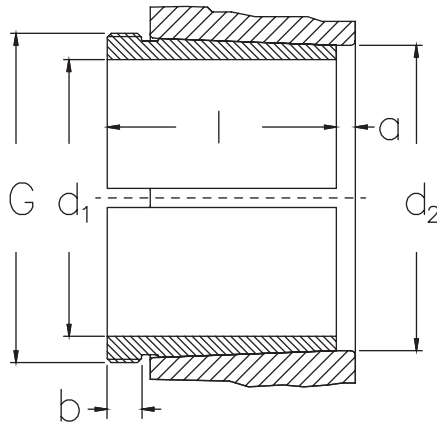
 Tuleje wciskane

AH/AHX
AOH/AOHX



AOH(X) & AOH(X) .. G

Generic code	Rubix engineering code	d1	d2	l	a	G	b	g	e	t	Weight (kg)	Dismounting nut	Locknut	Locking device
		(mm)												
AH2248-AKN	891411	220	240	144	6	Tr 260x4	21	-	-	-	11.10	HM52T-AKN	HM44T-AKN	MB44-AKN
AH3148-AKN	891224	220	240	154	7	Tr 260x4	25	-	-	-	12.00	HM52T-AKN	HM44T-AKN	MB44-AKN
AOH3148-AKN	890602	220	240	154	7	Tr 260x4	25	G1/4	9	15	12.00	HM52T-AKN	HM44T-AKN	MB44-AKN
AOH24148-AKN	890594	220	240	180	15	Tr 260x4	20	G1/4	9	15	13.00	HM52T-AKN	HM44T-AKN	MB44-AKN
AH2348-AKN	890497	220	240	189	8	Tr 260x4	30	-	-	-	15.50	HM52T-AKN	HM44T-AKN	MB44-AKN
AOH2348-AKN	891248	220	240	189	8	Tr 260x4	30	G1/4	9	15	15.50	HM52T-AKN	HM44T-AKN	MB44-AKN
AH3052-AKN	891198	240	260	128	7	Tr 280x4	23	-	-	-	10.70	HM56T-AKN	HM48T-AKN	MB48-AKN
AOH3052-AKN	890597	240	260	128	7	Tr 280x4	23	G1/4	9	15	10.70	HM56T-AKN	HM48T-AKN	MB48-AKN
AH2252-AKN	891412	240	260	155	6	Tr 290x4	23	-	-	-	14.00	HM58T-AKN	HM48T-AKN	MB48-AKN
AOH24052-AKN	891253	240	260	162	16	Tr 270x4	22	G1/8	7	12	11.80	HM54T-AKN	HM48T-AKN	MB48-AKN
AH3152-AKN	891225	240	260	172	7	Tr 290x4	26	-	-	-	16.20	HM58T-AKN	HM48T-AKN	MB48-AKN
AOH3152-AKN	891278	240	260	172	7	Tr 290x4	26	G1/4	10	15	16.20	HM58T-AKN	HM48T-AKN	MB48-AKN
AOH3152G-AKN	890603	240	260	172	7	Tr 280x4	26	G1/4	9	15	15.70	HM56T-AKN	HM48T-AKN	MB48-AKN
AOH24152-AKN	891260	240	260	202	16	Tr 280x4	22	G1/4	9	15	16.00	HM56T-AKN	HM48T-AKN	MB48-AKN
AH2352-AKN	891173	240	260	205	8	Tr 290x4	30	-	-	-	19.60	HM58T-AKN	HM48T-AKN	MB48-AKN
AOH2352-AKN	891249	240	260	205	8	Tr 290x4	30	G1/4	11	15	19.60	HM58T-AKN	HM48T-AKN	MB48-AKN
AOH2352G-AKN	891250	240	260	205	8	Tr 280x4	30	G1/4	9	15	19.00	HM56T-AKN	HM48T-AKN	MB48-AKN
AH3056-AKN	891199	260	280	131	8	Tr 300x4	24	-	-	-	12.00	HM3060-AKN	HM52T-AKN	MB52-AKN
AOH3056-AKN	890598	260	280	131	8	Tr 300x4	24	G1/4	9	15	12.00	HM3060-AKN	HM52T-AKN	MB52-AKN
AOH24056-AKN	891254	260	280	162	17	Tr 290x4	22	G1/8	7	12	12.80	HM58T-AKN	HM52T-AKN	MB52-AKN
AOH24056G-AKN	891255	260	280	162	17	Tr 300x4	22	G1/8	7	12	13.40	HM3160-AKN	HM52T-AKN	MB52-AKN
AH3156-AKN	891226	260	280	175	8	Tr 310x5	28	-	-	-	17.50	HM62T-AKN	HM52T-AKN	MB52-AKN
AOH3156-AKN	891279	260	280	175	8	Tr 310x5	28	G1/4	10	15	17.50	HM62T-AKN	HM52T-AKN	MB52-AKN
AOH3156G-AKN	890604	260	280	175	8	Tr 300x4	28	G1/4	9	15	17.00	HM3160-AKN	HM52T-AKN	MB52-AKN
AOH24156-AKN	891261	260	280	202	17	Tr 300x4	22	G1/4	9	15	17.30	HM3160-AKN	HM52T-AKN	MB52-AKN



AOH(X) & AOH(X) .. G

Generic code	Rubix engineering code	d1	d2	l	a	G	b	g	e	t	Weight (kg)	Dismounting nut	Locknut	Locking device
AH2356-AKN	891174	260	280	212	8	Tr 310x5	30	-	-	-	21.60	HM62T-AKN	HM52T-AKN	MB52-AKN
AOH2356-AKN	891251	260	280	212	8	Tr 310x5	30	G1/4	11	15	21.60	HM62T-AKN	HM52T-AKN	MB52-AKN
AOH2356G-AKN	890590	260	280	212	8	Tr 300x5	30	G1/4	9	15	20.00	HM3160-AKN	HM52T-AKN	MB52-AKN
AH3060-AKN	890518	280	300	145	8	Tr 320x5	26	-	-	-	14.40	HM3064-AKN	HM56T-AKN	MB56-AKN
AOH3060-AKN	891269	280	300	145	8	Tr 320x5	26	G1/4	9	15	14.40	HM3064-AKN	HM56T-AKN	MB56-AKN
AOH24060-AKN	891256	280	300	184	18	Tr 310x5	24	G1/8	7	12	15.50	HM62T-AKN	HM56T-AKN	MB56-AKN
AOH24060G-AKN	890593	280	300	184	18	Tr 320x5	24	G1/8	7	12	16.40	HM3164-AKN	HM56T-AKN	MB56-AKN
AH3160-AKN	891227	280	300	192	8	Tr 330x5	30	-	-	-	20.80	HM66T-AKN	HM56T-AKN	MB56-AKN
AOH3160-AKN	891280	280	300	192	8	Tr 330x5	30	G1/4	11	15	20.80	HM66T-AKN	HM56T-AKN	MB56-AKN
AOH3160G-AKN	891281	280	300	192	8	Tr 320x5	30	G1/4	9	15	20.80	HM3164-AKN	HM56T-AKN	MB56-AKN
AOH24160-AKN	891262	280	300	224	18	Tr 320x5	24	G1/4	9	15	20.80	HM3164-AKN	HM56T-AKN	MB56-AKN
AOH3260-AKN	891282	280	300	228	8	Tr 330x5	34	G1/4	12	15	26.00	HM66T-AKN	HM56T-AKN	MB56-AKN
AH3064-AKN	891201	300	320	149	8	Tr 345x5	27	-	-	-	16.00	HML69T-AKN	HM3060-AKN	MS3060-AKN
AOH3064-AKN	891270	300	320	149	8	Tr 345x5	27	G1/4	10	15	16.00	HML69T-AKN	HM3060-AKN	MS3060-AKN
AOH3064G-AKN	890599	300	320	149	8	Tr 340x5	27	G1/4	9	15	15.60	HM3068-AKN	HM3060-AKN	MS3060-AKN
AH3264-AKN	891235	300	320	246	8	Tr 350x5	36	-	-	-	30.60	HM70T-AKN	HM3060-AKN	MS3060-AKN
AOH3264-AKN	891283	300	320	246	8	Tr 350x5	36	G1/4	12	15	30.60	HM70T-AKN	HM3060-AKN	MS3060-AKN
AH3068-AKN	891202	320	340	162	9	Tr 365x5	28	-	-	-	19.50	HML73T-AKN	HM3064-AKN	MS3064-AKN
AOH3068-AKN	890600	320	340	162	9	Tr 365x5	28	G1/4	10	15	19.50	HML73T-AKN	HM3064-AKN	MS3064-AKN
AOH3068G-AKN	891273	320	340	162	9	Tr 360x5	28	G1/4	9	15	19.00	HM3072-AKN	HM3064-AKN	MS3064-AKN
AH3268-AKN	891236	320	340	264	9	Tr 370x5	38	-	-	-	35.40	HM74T-AKN	HM3064-AKN	MS3064-AKN
AOH3268-AKN	891284	320	340	264	9	Tr 370x5	38	G1/4	13	15	35.40	HM74T-AKN	HM3064-AKN	MS3064-AKN
AH3272-AKN	891237	340	360	274	9	Tr 400x5	40	-	-	-	41.50	HM3180-AKN	HM3068-AKN	MS3064-AKN

 Adapter sleeves

 Manguitos de montaje

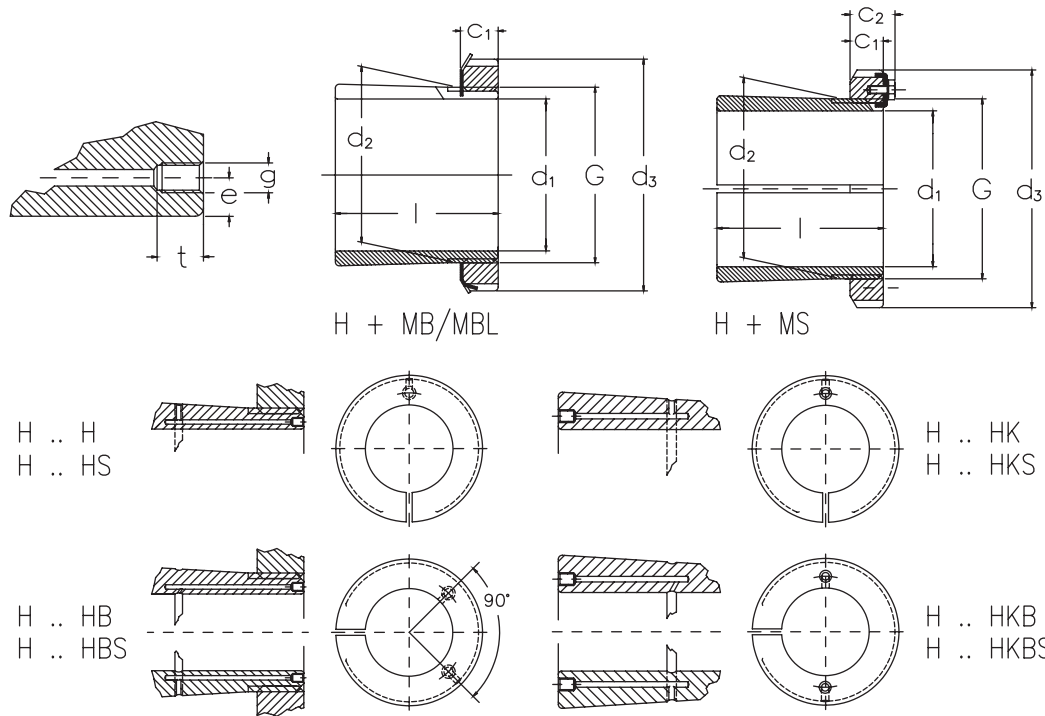
 Manchon de serrage

 Spannhülsen

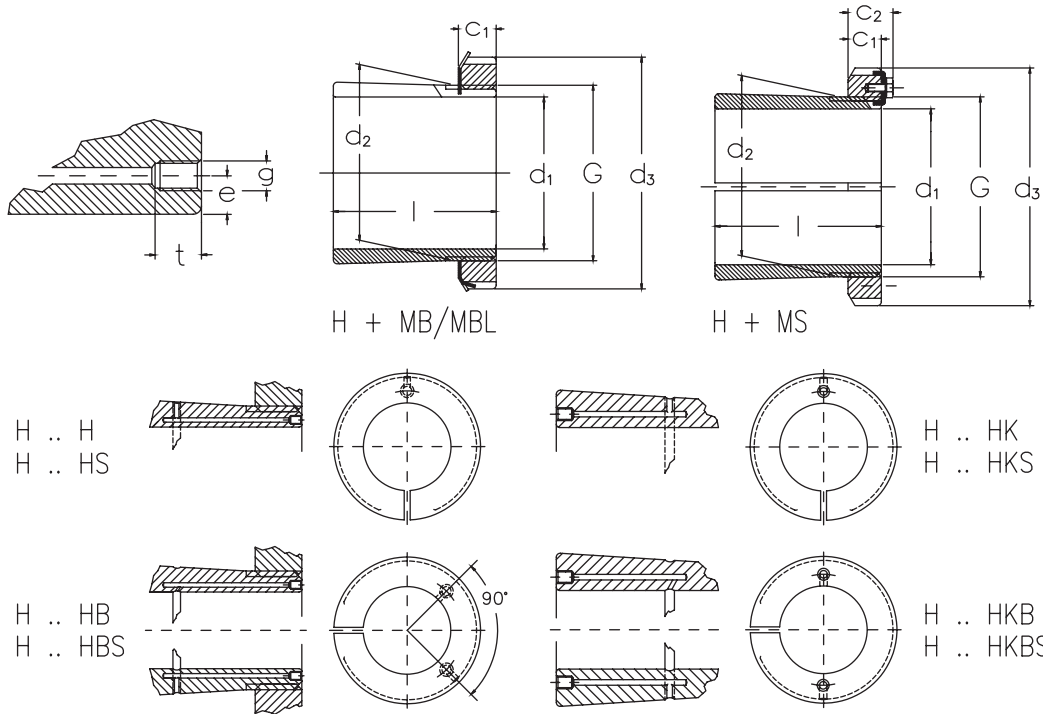
 Bussole di trazione

 Tuleje wciągane

H



Generic code	Rubix engineering code	d1	d2	l	d3	G	c1	c2	g2	e	t	Weight (kg)	Nut	Locking device
		(mm)												
H205-AKN	890607	20	25	26	38	M 25x1.5	8	-	-	-	-	0.07	KM5-AKN	MB5-AKN
H305-AKN	890662	20	25	29	38	M 25x1.5	8	-	-	-	-	0.08	KM5-AKN	MB5-AKN
H2305-AKN	890623	20	25	35	38	M 25x1.5	8	-	-	-	-	0.09	KM5-AKN	MB5-AKN
H206-AKN	890608	25	30	27	45	M 30x1.5	8	-	-	-	-	0.10	KM6-AKN	MB6-AKN
H306-AKN	890664	25	30	31	45	M 30x1.5	8	-	-	-	-	0.11	KM6-AKN	MB6-AKN
H2306-AKN	890624	25	30	38	45	M 30x1.5	8	-	-	-	-	0.13	KM6-AKN	MB6-AKN
H207-AKN	890609	30	35	29	52	M 35x1.5	9	-	-	-	-	0.13	KM7-AKN	MB7-AKN
H307-AKN	890665	30	35	35	52	M 35x1.5	9	-	-	-	-	0.14	KM7-AKN	MB7-AKN
H2307-AKN	890625	30	35	43	52	M 35x1.5	9	-	-	-	-	0.17	KM7-AKN	MB7-AKN
H208-AKN	890610	35	40	31	58	M 40x1.5	10	-	-	-	-	0.17	KM8-AKN	MB8-AKN
H308-AKN	890666	35	40	36	58	M 40x1.5	10	-	-	-	-	0.19	KM8-AKN	MB8-AKN
H2308-AKN	890626	35	40	46	58	M 40x1.5	10	-	-	-	-	0.22	KM8-AKN	MB8-AKN
H209-AKN	890611	40	45	33	65	M 45x1.5	11	-	-	-	-	0.23	KM9-AKN	MB9-AKN
H309-AKN	890667	40	45	39	65	M 45x1.5	11	-	-	-	-	0.25	KM9-AKN	MB9-AKN
H2309-AKN	890627	40	45	50	65	M 45x1.5	11	-	-	-	-	0.28	KM9-AKN	MB9-AKN
H210-AKN	890612	45	50	35	70	M 50x1.5	12	-	-	-	-	0.27	KM10-AKN	MB10-AKN
H310-AKN	890668	45	50	42	70	M 50x1.5	12	-	-	-	-	0.30	KM10-AKN	MB10-AKN
H2310-AKN	890628	45	50	55	70	M 50x1.5	12	-	-	-	-	0.36	KM10-AKN	MB10-AKN
H211-AKN	890613	50	55	37	75	M 55x2	12.5	-	-	-	-	0.31	KM11-AKN	MB11-AKN
H311-AKN	890669	50	55	45	75	M 55x2	12.5	-	-	-	-	0.35	KM11-AKN	MB11-AKN




Generic code	Rubix engineering code	d1	d2	l	d3	G	c1	c2	g2	e	t	Weight (kg)	Nut	Locking device
		(mm)												
H2311-AKN	890629	50	55	59	75	M 55x2	12.5	-	-	-	-	0.42	KM11-AKN	MB11-AKN
H212-AKN	890614	55	60	38	80	M 60x2	13	-	-	-	-	0.35	KM12-AKN	MB12-AKN
H312-AKN	890670	55	60	47	80	M 60x2	13	-	-	-	-	0.39	KM12-AKN	MB12-AKN
H2312-AKN	890630	55	60	62	80	M 60x2	13	-	-	-	-	0.48	KM12-AKN	MB12-AKN
H213-AKN	890615	60	65	40	85	M 65x2	14	-	-	-	-	0.40	KM13-AKN	MB13-AKN
H313-AKN	890676	60	65	50	85	M 65x2	14	-	-	-	-	0.46	KM13-AKN	MB13-AKN
H2313-AKN	890631	60	65	65	85	M 65x2	14	-	-	-	-	0.56	KM13-AKN	MB13-AKN
H314-AKN	890683	60	70	52	92	M 70x2	14	-	-	-	-	0.72	KM14-AKN	MB14-AKN
H2314-AKN	890632	60	70	68	92	M 70x2	14	-	-	-	-	0.90	KM14-AKN	MB14-AKN
H215-AKN	890616	65	75	43	98	M 75x2	15	-	-	-	-	0.71	KM15-AKN	MB15-AKN
H315-AKN	890690	65	75	55	98	M 75x2	15	-	-	-	-	0.83	KM15-AKN	MB15-AKN
H2315-AKN	890633	65	75	73	98	M 75x2	15	-	-	-	-	1.05	KM15-AKN	MB15-AKN
H216-AKN	890617	70	80	46	105	M 80x2	17	-	-	-	-	0.88	KM16-AKN	MB16-AKN
H316-AKN	890693	70	80	59	105	M 80x2	17	-	-	-	-	1.03	KM16-AKN	MB16-AKN
H2316-AKN	890634	70	80	78	105	M 80x2	17	-	-	-	-	1.28	KM16-AKN	MB16-AKN
H217-AKN	890618	75	85	50	110	M 85x2	18	-	-	-	-	1.02	KM17-AKN	MB17-AKN
H317-AKN	890694	75	85	63	110	M 85x2	18	-	-	-	-	1.18	KM17-AKN	MB17-AKN
H2317-AKN	890635	75	85	82	110	M 85x2	18	-	-	-	-	1.45	KM17-AKN	MB17-AKN
H218-AKN	890619	80	90	52	120	M 90x2	18	-	-	-	-	1.19	KM18-AKN	MB18-AKN
H318-AKN	890695	80	90	65	120	M 90x2	18	-	-	-	-	1.37	KM18-AKN	MB18-AKN

 Adapter sleeves

 Manguitos de montaje

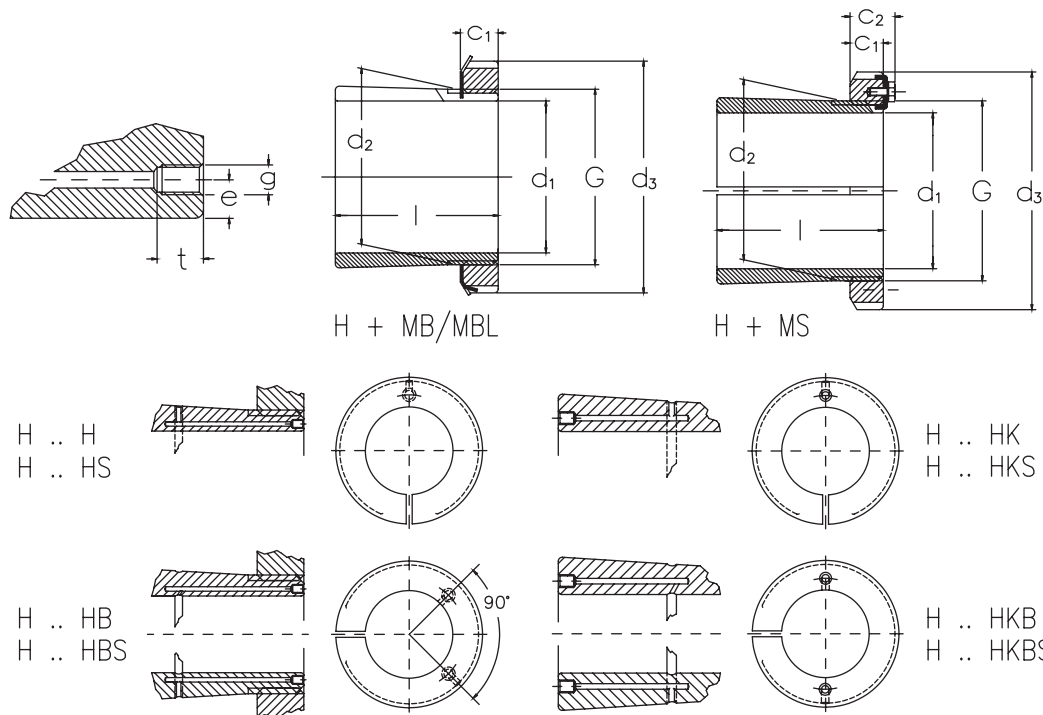
 Manchon de serrage

 Spannhülsen

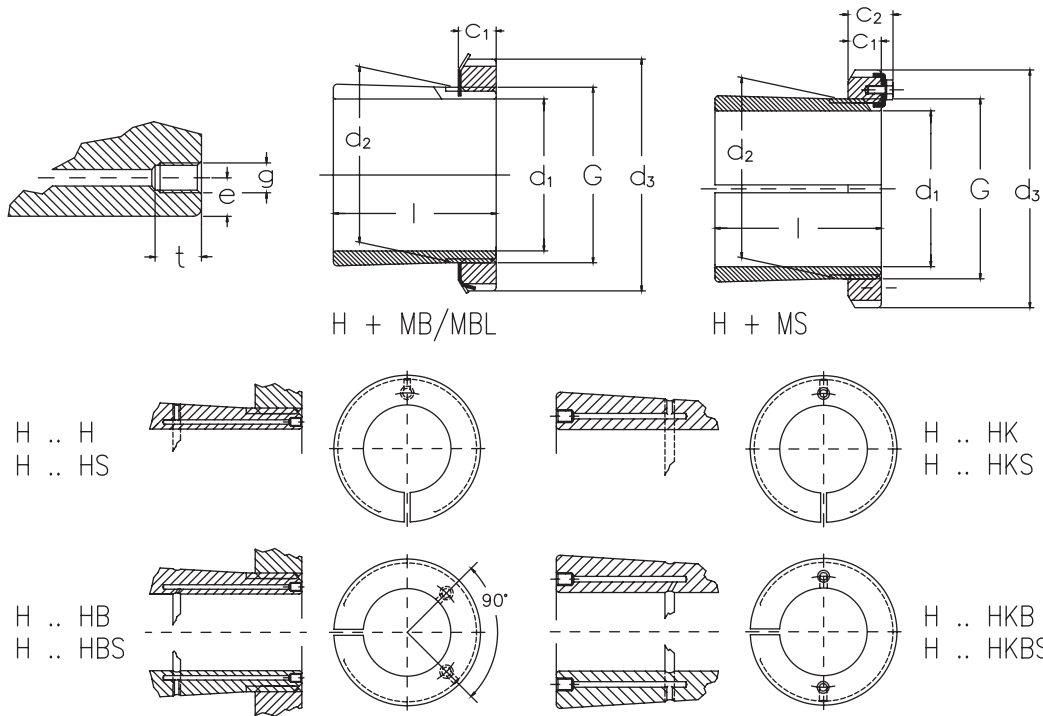
 Bussole di trazione

 Tuleje wciągane

H



Generic code	Rubix engineering code	d1	d2	l	d3	G	c1	c2	g2	e	t	Weight (kg)	Nut	Locking device
		(mm)												
H2318-AKN	890636	80	90	86	120	M 90x2	18	-	-	-	-	1.69	KM18-AKN	MB18-AKN
H219-AKN	890620	85	95	55	125	M 95x2	19	-	-	-	-	1.37	KM19-AKN	MB19-AKN
H319-AKN	890696	85	95	68	125	M 95x2	19	-	-	-	-	1.56	KM19-AKN	MB19-AKN
H2319-AKN	890637	85	95	90	125	M 95x2	19	-	-	-	-	1.92	KM19-AKN	MB19-AKN
H220-AKN	890621	90	100	58	130	M 100x2	20	-	-	-	-	1.49	KM20-AKN	MB20-AKN
H320-AKN	890697	90	100	71	130	M 100x2	20	-	-	-	-	1.69	KM20-AKN	MB20-AKN
H3120-AKN	890671	90	100	76	130	M 100x2	20	-	-	-	-	1.80	KM20-AKN	MB20-AKN
H2320-AKN	890638	90	100	97	130	M 100x2	20	-	-	-	-	2.15	KM20-AKN	MB20-AKN
H222-AKN	890622	100	110	63	145	M 110x2	21	-	-	-	-	1.93	KM22-AKN	MB22-AKN
H322-AKN	890698	100	110	77	145	M 110x2	21	-	-	-	-	2.18	KM22-AKN	MB22-AKN
H3122-AKN	890672	100	110	81	145	M 110x2	21	-	-	-	-	2.25	KM22-AKN	MB22-AKN
H2322-AKN	890639	100	110	105	145	M 110x2	21	-	-	-	-	2.74	KM22-AKN	MB22-AKN
H3024-AKN	890650	110	120	72	145	M 120x2	22	-	-	-	-	1.93	KML24-AKN	MBL24-AKN
H3124-AKN	890673	110	120	88	155	M 120x2	22	-	-	-	-	2.64	KM24-AKN	MB24-AKN
H2324-AKN	890640	110	120	112	155	M 120x2	22	-	-	-	-	3.19	KM24-AKN	MB24-AKN
H3026-AKN	890651	115	130	80	155	M 130x2	23	-	-	-	-	2.85	KML26-AKN	MBL26-AKN
H3126-AKN	890674	115	130	92	165	M 130x2	23	-	-	-	-	3.66	KM26-AKN	MB26-AKN
H2326-AKN	890641	115	130	121	165	M 130x2	23	-	-	-	-	4.60	KM26-AKN	MB26-AKN
H3028-AKN	890652	125	140	82	165	M 140x2	24	-	-	-	-	3.16	KML28-AKN	MBL28-AKN
H3128-AKN	890675	125	140	97	180	M 140x2	24	-	-	-	-	4.34	KM28-AKN	MB28-AKN



Generic code	Rubix engineering code	d1	d2	l	d3	G	c1	c2	g2	e	t	Weight (kg)	Nut	Locking device
		(mm)												
H2328-AKN	890642	125	140	131	180	M 140x2	24	-	-	-	-	5.55	KM28-AKN	MB28-AKN
H3030-AKN	890653	135	150	87	180	M 150x2	26	-	-	-	-	3.89	KML30-AKN	MBL30-AKN
H3130-AKN	890677	135	150	111	195	M 150x2	26	-	-	-	-	5.52	KM30-AKN	MB30-AKN
H2330-AKN	890643	135	150	139	195	M 150x2	26	-	-	-	-	6.63	KM30-AKN	MB30-AKN
H3032-AKN	890654	140	160	93	190	M 160x3	27.5	-	-	-	-	5.21	KML32-AKN	MBL32-AKN
H3132-AKN	890678	140	160	119	210	M 160x3	28	-	-	-	-	7.67	KM32-AKN	MB32-AKN
H3132H-AKN	891309	140	160	119	210	M 160x3	28	-	M6	4.2	9	7.67	KM32-AKN	MB32-AKN
H2332-AKN	890644	140	160	147	210	M 160x3	28	-	-	-	-	9.14	KM32-AKN	MB32-AKN
H3034-AKN	890655	150	170	101	200	M 170x3	28.5	-	-	-	-	5.99	KML34-AKN	MBL34-AKN
H3034H-AKN	891288	150	170	101	200	M 170x3	28.5	-	M6	4.2	9	5.99	KML34-AKN	MBL34-AKN
H3134-AKN	890679	150	170	122	220	M 170x3	29	-	-	-	-	8.38	KM34-AKN	MB34-AKN
H3134H-AKN	891310	150	170	122	220	M 170x3	29	-	M6	4.2	9	8.38	KM34-AKN	MB34-AKN
H2334-AKN	890645	150	170	154	220	M 170x3	29	-	-	-	-	10.20	KM34-AKN	MB34-AKN
H3036-AKN	890656	160	180	109	210	M 180x3	29.5	-	-	-	-	6.83	KML36-AKN	MBL36-AKN
H3036H-AKN	891289	160	180	109	210	M 180x3	29.5	-	M6	4.2	9	6.83	KML36-AKN	MBL36-AKN
H3136-AKN	890680	160	180	131	230	M 180x3	30	-	-	-	-	9.50	KM36-AKN	MB36-AKN
H3136H-AKN	891311	160	180	131	230	M 180x3	30	-	M6	4.2	9	9.50	KM36-AKN	MB36-AKN
H2336-AKN	890646	160	180	161	230	M 180x3	30	-	-	-	-	11.30	KM36-AKN	MB36-AKN
H3038-AKN	890657	170	190	112	220	M 190x3	30.5	-	-	-	-	7.45	KML38-AKN	MBL38-AKN
H3038H-AKN	891290	170	190	112	220	M 190x3	30.5	-	M6	4.2	9	7.45	KML38-AKN	MBL38-AKN

Adapter sleeves

Manguitos de montaje

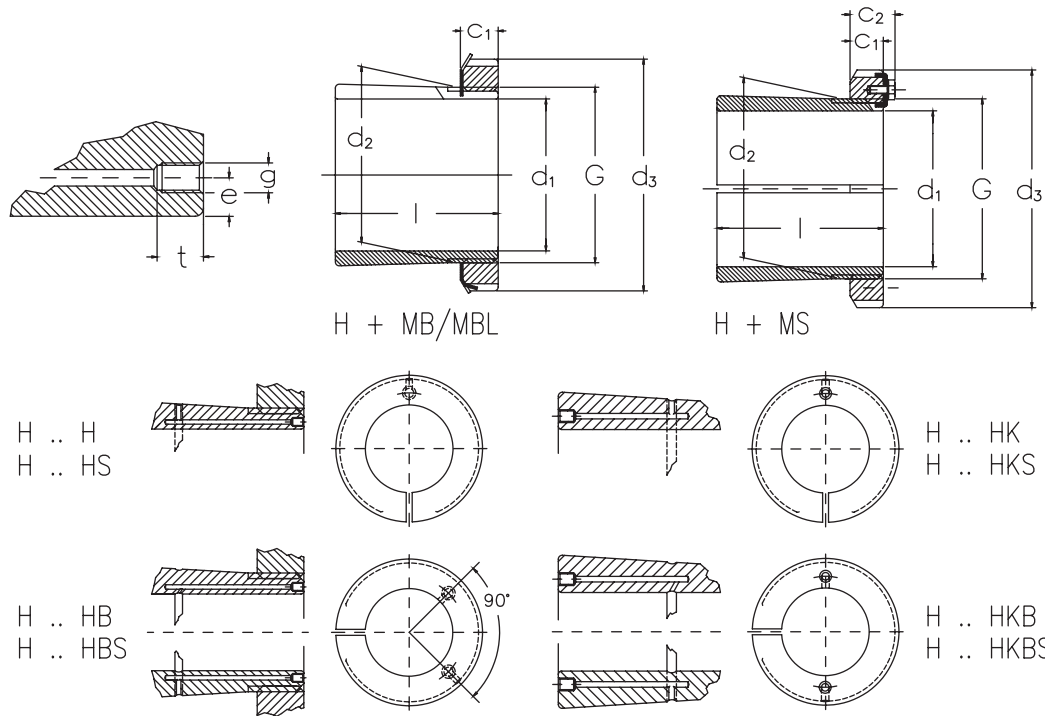
Manchon de serrage

Spannhülsen

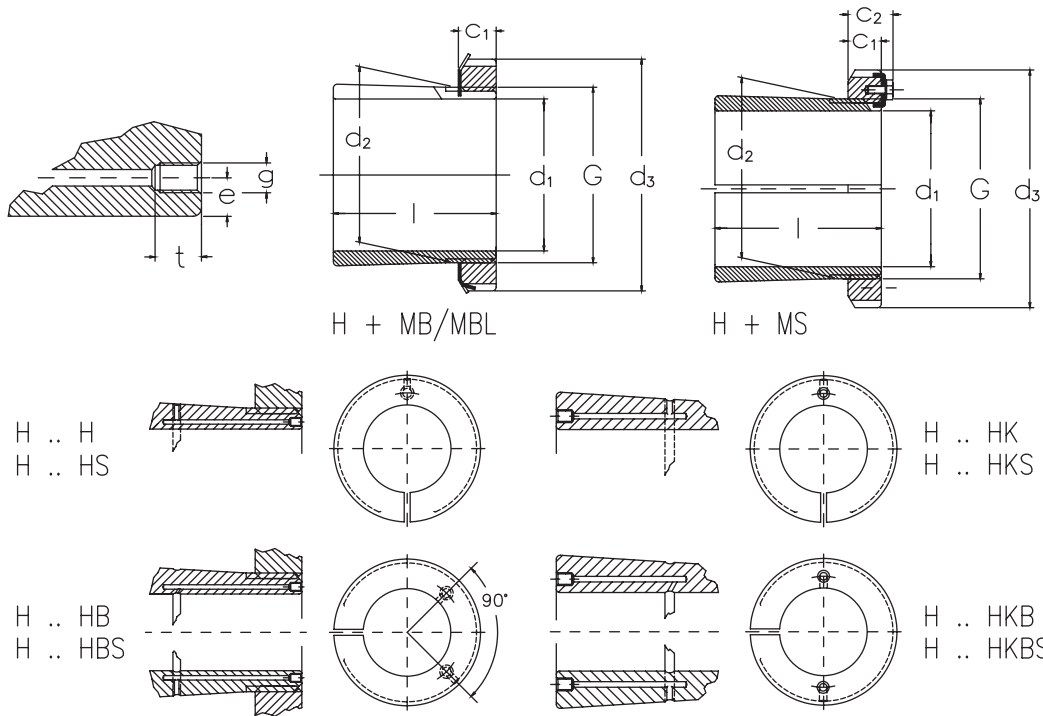
Bussole di trazione

Tuleje wciągane

H



Generic code	Rubix engineering code	d1	d2	l	d3	G	c1	c2	g2	e	t	Weight (kg)	Nut	Locking device
		(mm)												
H3138-AKN	890681	170	190	141	240	M 190X3	31	-	-	-	-	10.80	KM38-AKN	MB38-AKN
H3138H-AKN	890682	170	190	141	240	M 190X3	31	-	M6	4.2	9	10.80	KM38-AKN	MB38-AKN
H2338-AKN	890647	170	190	169	240	M 190X3	31	-	-	-	-	12.60	KM38-AKN	MB38-AKN
H3040-AKN	890658	180	200	120	240	M 200X3	31.5	-	-	-	-	9.19	KML40-AKN	MBL40-AKN
H3040H-AKN	891291	180	200	120	240	M 200X3	31.5	-	M6	4.2	9	9.19	KML40-AKN	MBL40-AKN
H3140-AKN	890684	180	200	150	250	M 200X3	32	-	-	-	-	12.10	KM40-AKN	MB40-AKN
H3140H-AKN	890685	180	200	150	250	M 200X3	32	-	M6	4.2	9	12.10	KM40-AKN	MB40-AKN
H2340-AKN	890648	180	200	176	250	M 200x3	32	-	-	-	-	13.90	KM40-AKN	MB40-AKN
H3044-AKN	890659	200	220	126	260	Tr 220x4	30	41	-	-	-	10.30	HM3044-AKN	MS3044-AKN
H3044H-AKN	891292	200	220	126	260	Tr 220x4	30	41	M6	4.2	9	10.30	HM3044-AKN	MS3044-AKN
H3144-AKN	890686	200	220	161	280	Tr 220x4	35	-	-	-	-	15.00	HM44T-AKN	MB44-AKN
H3144H-AKN	890687	200	220	161	280	Tr 220x4	35	-	M6	4.2	9	15.00	HM44T-AKN	MB44-AKN
H2344-AKN	890649	200	220	186	280	Tr 220x4	35	-	-	-	-	17.00	HM44T-AKN	MB44-AKN
H2344H-AKN	891285	200	220	186	280	Tr 220x4	35	-	M6	4.2	9	17.00	HM44T-AKN	MB44-AKN
H3048-AKN	890660	220	240	133	290	Tr 240X4	34	46	-	-	-	13.20	HM3048-AKN	MS3048-AKN
H3048H-AKN	890661	220	240	133	290	Tr 240X4	34	46	M6	4.2	9	13.20	HM3048-AKN	MS3048-AKN
H3148-AKN	890688	220	240	172	300	Tr 240X4	37	-	-	-	-	17.60	HM48T-AKN	MB48-AKN
H3148H-AKN	890689	220	240	172	300	Tr 240X4	37	-	M6	4.2	9	17.60	HM48T-AKN	MB48-AKN
H2348-AKN	891286	220	240	199	300	Tr 240X4	37	-	-	-	-	20.00	HM48T-AKN	MB48-AKN
H2348H-AKN	891287	220	240	199	300	Tr 240X4	37	-	M6	4.2	9	20.00	HM48T-AKN	MB48-AKN



Generic code	Rubix engineering code	d1	d2	l	d3	G	c1	c2	g2	e	t	Weight (kg)	Nut	Locking device
		(mm)												
H3052-AKN	890663	240	260	145	310	Tr 260x4	34	46	-	-	-	15.30	HM3052-AKN	MS3048-AKN
H3052H-AKN	891295	240	260	145	310	Tr 260x4	34	46	M6	4.2	9	15.30	HM3052-AKN	MS3048-AKN
H3152-AKN	890691	240	260	190	330	Tr 260x4	39	-	-	-	-	22.30	HM52T-AKN	MB52-AKN
H3152H-AKN	891314	240	260	190	330	Tr 260x4	39	-	M6	4.2	9	22.30	HM52T-AKN	MB52-AKN
H3056-AKN	891296	260	280	152	330	Tr 280x4	38	50	-	-	-	17.70	HM3056-AKN	MS3056-AKN
H3056H-AKN	891297	260	280	152	330	Tr 280x4	38	50	M6	4.2	9	17.70	HM3056-AKN	MS3056-AKN
H3156-AKN	890692	260	280	195	350	Tr 280x4	41	-	-	-	-	25.10	HM56T-AKN	MB56-AKN
H3156H-AKN	891316	260	280	195	350	Tr 280x4	41	-	M6	4.2	9	25.10	HM56T-AKN	MB56-AKN
H3060-AKN	891298	280	300	168	360	Tr 300x4	42	54	-	-	-	22.80	HM3060-AKN	MS3060-AKN
H3060H-AKN	891299	280	300	168	360	Tr 300x4	42	54	M6	4.2	9	22.80	HM3060-AKN	MS3060-AKN
H3160H-AKN	891317	280	300	208	380	Tr 300x4	40	53	M6	4.2	9	30.20	HM3160-AKN	MS3160-AKN
H3064-AKN	891300	300	320	171	380	Tr 320x5	42	55	-	-	-	24.60	HM3064-AKN	MS3064-AKN
H3064H-AKN	891301	300	320	171	380	Tr 320x5	42	55	M6	4.0	9	24.60	HM3064-AKN	MS3064-AKN
H3068-AKN	891302	320	340	187	400	Tr 340x5	45	58	-	-	-	28.70	HM3068-AKN	MS3064-AKN
H3068H-AKN	891303	320	340	187	400	Tr 340x5	45	58	M6	4.0	9	28.70	HM3068-AKN	MS3064-AKN
H3072-AKN	891304	340	360	188	420	Tr 360x5	45	58	-	-	-	30.50	HM3072-AKN	MS3072-AKN
H3072H-AKN	891305	340	360	188	420	Tr 360x5	45	58	M6	4.0	9	30.50	HM3072-AKN	MS3072-AKN
H3076-AKN	891306	360	380	193	450	Tr 380x5	48	62	-	-	-	35.80	HM3076-AKN	MS3076-AKN
H3076H-AKN	891307	360	380	193	450	Tr 380x5	48	62	M6	4.0	9	35.80	HM3076-AKN	MS3076-AKN

 **KM/KML Locknuts**

 **KM/KML Écrou à encoches**

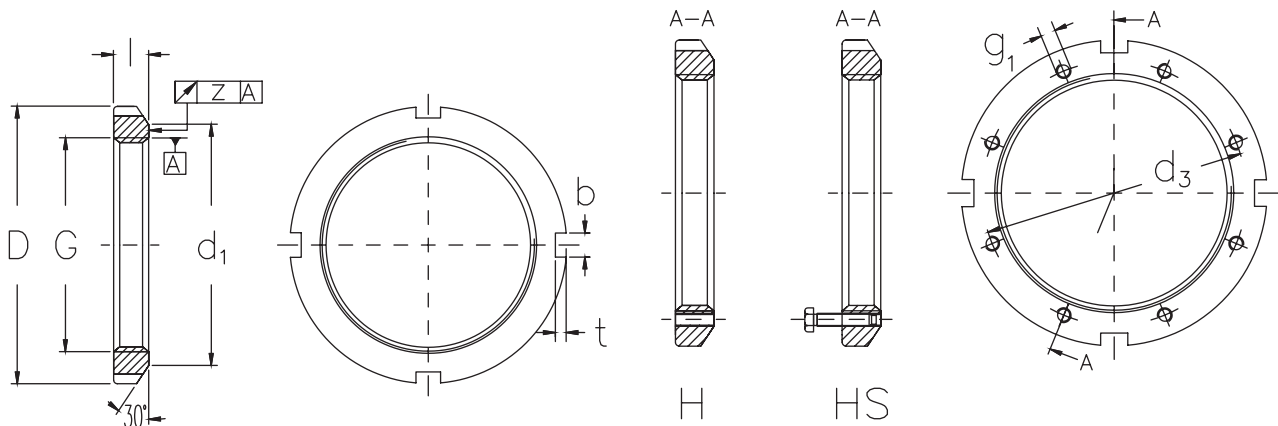
 **KM/KML Ghiera di bloccaggio**

 **KM/KML Tuercas de bloqueo**

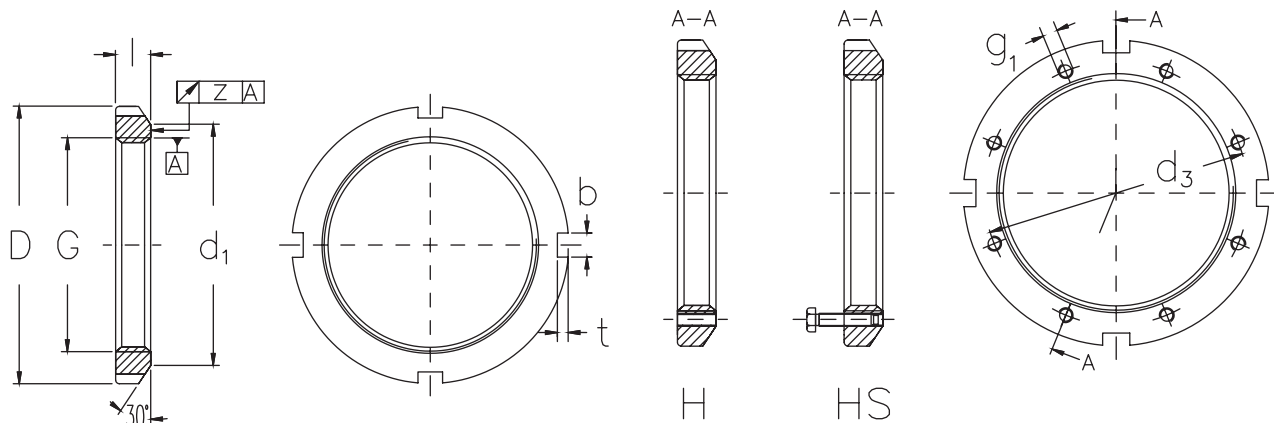
 **KM/KML Wellenmutter**

 **KM/KML Nakrętki łożyskowe**

KM



Generic code	Rubing engineering code	G	l	D	d1	b	t	z	g1	d3	Weight (kg)	Locking device
KM0-AKN	890734	M 10x0.75	4	18	13.5	3	2	0.04	-	-	-	MB0-AKN
KM1-AKN	890735	M 12x1	4	22	17	3	2	0.04	-	-	0.01	MB1-AKN
KM2-AKN	890736	M 15x1	5	25	21	4	2	0.04	-	-	0.01	MB2-AKN
KM3-AKN	890737	M 17x1	5	28	24	4	2	0.04	-	-	0.01	MB3-AKN
KM4-AKN	890738	M 20x1	6	32	26	4	2	0.04	-	-	0.02	MB4-AKN
KM5-AKN	890739	M 25x1.5	7	38	32	5	2	0.04	-	-	0.03	MB5-AKN
KM6-AKN	890740	M 30x1.5	7	45	38	5	2	0.04	-	-	0.04	MB6-AKN
KM7-AKN	890741	M 35x1.5	8	52	44	5	2	0.04	-	-	0.05	MB7-AKN
KM8-AKN	890742	M 40x1.5	9	58	50	6	2.5	0.04	-	-	0.09	MB8-AKN
KM9-AKN	890743	M 45x1.5	10	65	56	6	2.5	0.04	-	-	0.12	MB9-AKN
KM10-AKN	890744	M 50x1.5	11	70	61	6	2.5	0.04	-	-	0.15	MB10-AKN
KM11-AKN	890745	M 55x2	11	75	67	7	3	0.05	-	-	0.16	MB11-AKN
KM12-AKN	890746	M 60x2	11	80	73	7	3	0.05	-	-	0.17	MB12-AKN
KM13-AKN	890747	M 65x2	12	85	79	7	3	0.05	-	-	0.20	MB13-AKN
KM14-AKN	890748	M 70x2	12	92	85	8	3.5	0.05	-	-	0.24	MB14-AKN
KM15-AKN	890749	M 75x2	13	98	90	8	3.5	0.05	-	-	0.29	MB15-AKN
KM16-AKN	890750	M 80x2	16	105	95	8	3.5	0.05	-	-	0.40	MB16-AKN
KM17-AKN	890751	M 85x2	16	110	102	8	3.5	0.05	-	-	0.45	MB17-AKN
KM18-AKN	890752	M 90x2	16	120	108	10	4	0.05	-	-	0.56	MB18-AKN
KM19-AKN	890753	M 95x2	17	125	113	10	4	0.05	-	-	0.66	MB19-AKN
KM20-AKN	890754	M 100x2	18	130	120	10	4	0.05	-	-	0.70	MB20-AKN
KM21-AKN	890755	M 105x2	18	140	126	12	5	0.05	-	-	0.85	MB21-AKN
KM22-AKN	890756	M 110x2	19	145	133	12	5	0.05	-	-	0.97	MB22-AKN
KM23-AKN	890757	M 115x2	19	150	137	12	5	0.05	-	-	1.01	MB23-AKN



Generic code	Rubix engineering code	G	l	D	d1	b	t	z	g1	d3	Weight (kg)	Locking device
			(mm)									
KM24-AKN	890758	M 120x2	20	155	138	12	5	0.05	-	-	1.08	MB24-AKN
KML24-AKN	890773	M 120x2	20	145	135	12	5	0.05	-	-	0.78	MBL24-AKN
KM25-AKN	890759	M 125x2	21	160	148	12	5	0.06	-	-	1.19	MB25-AKN
KM26-AKN	890760	M 130x2	21	165	149	12	5	0.06	-	-	1.25	MB26-AKN
KML26-AKN	890774	M 130x2	21	155	145	12	5	0.06	-	-	0.88	MBL26-AKN
KM27-AKN	890761	M 135x2	22	175	160	14	6	0.06	-	-	1.55	MB27-AKN
KM28-AKN	890762	M 140x2	22	180	160	14	6	0.06	-	-	1.56	MB28-AKN
KML28-AKN	890775	M 140x2	22	165	155	12	5	0.06	-	-	0.99	MBL28-AKN
KM29-AKN	890763	M 145x2	24	190	171	14	6	0.06	-	-	1.80	MB29-AKN
KM30-AKN	890764	M 150x2	24	195	171	14	6	0.06	-	-	2.03	MB30-AKN
KML30-AKN	890776	M 150x2	24	180	170	14	5	0.06	-	-	1.38	MBL30-AKN
KM31-AKN	890765	M 155x3	25	200	182	16	7	0.06	-	-	2.30	MB31-AKN
KM32-AKN	890766	M 160x3	25	210	182	16	7	0.06	-	-	2.59	MB32-AKN
KML32-AKN	890777	M 160x3	25	190	189	14	5	0.06	-	-	1.56	MBL32-AKN
KM33-AKN	890767	M 165x3	26	210	193	16	7	0.06	-	-	2.70	MB33-AKN
KM34-AKN	890768	M 170x3	26	220	193	16	7	0.06	-	-	2.80	MB34-AKN
KML34-AKN	890778	M 170x3	26	200	190	16	5	0.06	-	-	1.72	MBL34-AKN
KM36-AKN	890769	M 180x3	27	230	203	18	8	0.06	-	-	3.07	MB36-AKN
KML36-AKN	890779	M 180x3	27	210	200	16	5	0.06	-	-	1.95	MBL36-AKN
KM38-AKN	890770	M 190x3	28	240	214	18	8	0.06	-	-	3.39	MB38-AKN
KML38-AKN	890780	M 190x3	28	220	210	16	5	0.06	-	-	2.08	MBL38-AKN
KM40-AKN	890771	M 200x3	29	250	226	18	8	0.06	-	-	3.69	MB40-AKN
KML40-AKN	890781	M 200x3	29	240	222	18	8	0.06	-	-	2.98	MBL40-AKN

 HM/HML Locknuts

 HM/HML Écrou à encoches

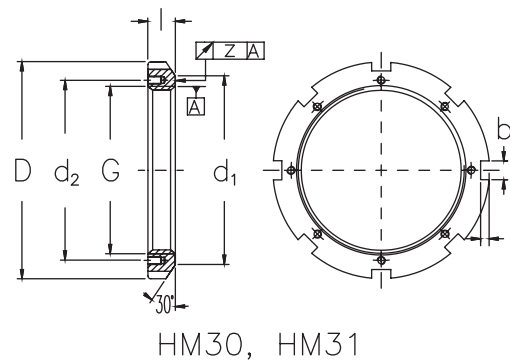
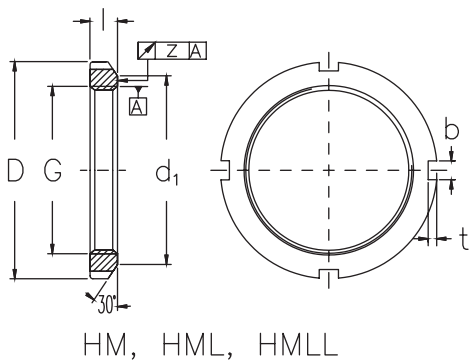
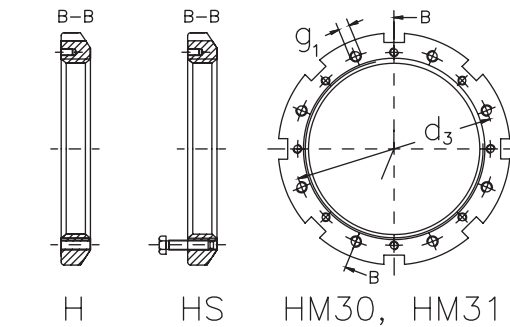
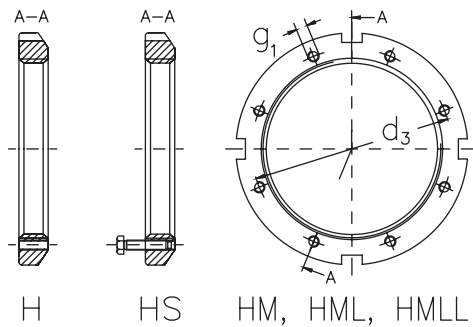
 HM/HML Ghiera di bloccaggio

 HM/HML Tuercas de bloqueo

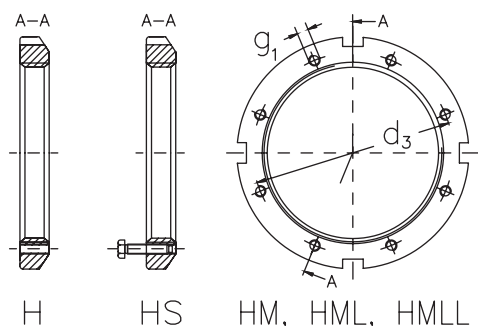
 HM/HML Wellenmutter

 HM/HML Nakrętki łożyskowe

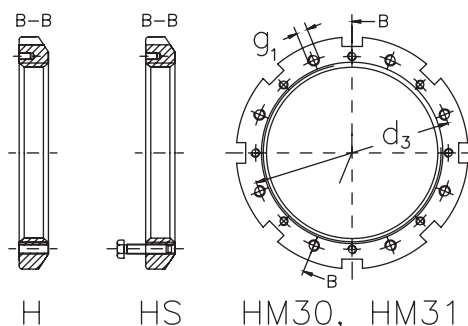
HM/HML



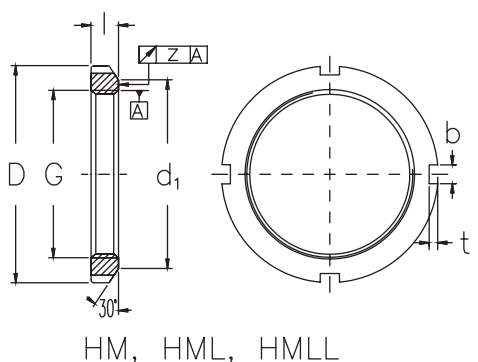
Generic code	Rubix engineering code	G	l	D	d1	d2	b	t	z	g1	d3	Weight (kg)	Locking device
HML41T-AKN	890729	Tr 205x4	30	250	232	-	18	8	0.12	-	-	3.43	-
HM42T-AKN	890716	Tr 210x4	30	270	238	-	20	10	0.12	-	-	4.75	-
HML43T-AKN	890730	Tr 215x4	30	260	242	-	20	9	0.12	-	-	3.72	-
HM3044-AKN	890700	Tr 220x4	30	260	242	229	20	9	0.12	-	-	3.09	MS3044-AKN
HM3144-AKN	891327	Tr 220x4	32	280	250	238	20	10	0.12	-	-	5.16	MS3144-AKN
HM44T-AKN	890717	Tr 220x4	32	280	250	-	20	10	0.12	-	-	5.35	MB44-AKN
HM46T-AKN	890718	Tr 230x4	34	290	260	-	20	10	0.12	-	-	5.80	-
HML47T-AKN	890731	Tr 235x4	34	280	262	-	20	9	0.12	-	-	4.29	-
HM3048-AKN	890701	Tr 240x4	34	290	270	253	20	10	0.12	-	-	5.16	MS3048-AKN
HM3148-AKN	891328	Tr 240x4	34	300	270	258	20	10	0.12	-	-	5.91	MS3144-AKN
HM48T-AKN	890719	Tr 240x4	34	300	270	-	20	10	0.12	-	-	6.20	MB48-AKN
HM50T-AKN	890720	Tr 250x4	35	320	290	-	20	10	0.12	-	-	7.00	-
HML52T-AKN	890732	Tr 260x4	30	310	290	-	20	10	0.12	-	-	5.15	-
HM52T-AKN	890721	Tr 260x4	35	330	300	-	24	12	0.12	-	-	8.40	MB52-AKN
HM3052-AKN	890702	Tr 260x4	34	310	290	273	20	10	0.12	-	-	5.67	MS3048-AKN
HM3152-AKN	890712	Tr 260x4	36	330	300	281	24	12	0.12	-	-	7.99	MS3152-AKN
HM54T-AKN	890722	Tr 270x4	36	340	310	-	24	12	0.12	-	-	9.20	-
HML56T-AKN	891348	Tr 280x4	30	330	310	-	24	10	0.12	-	-	5.49	-



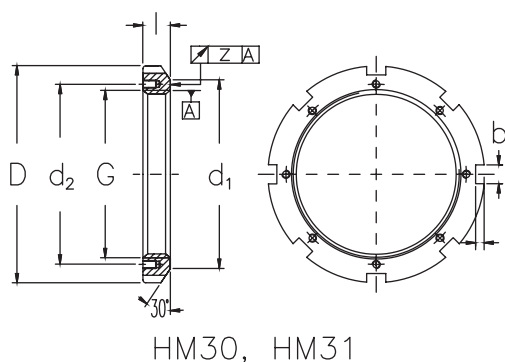
H HS HM, HML, HMLL



H HS HM30, HM31

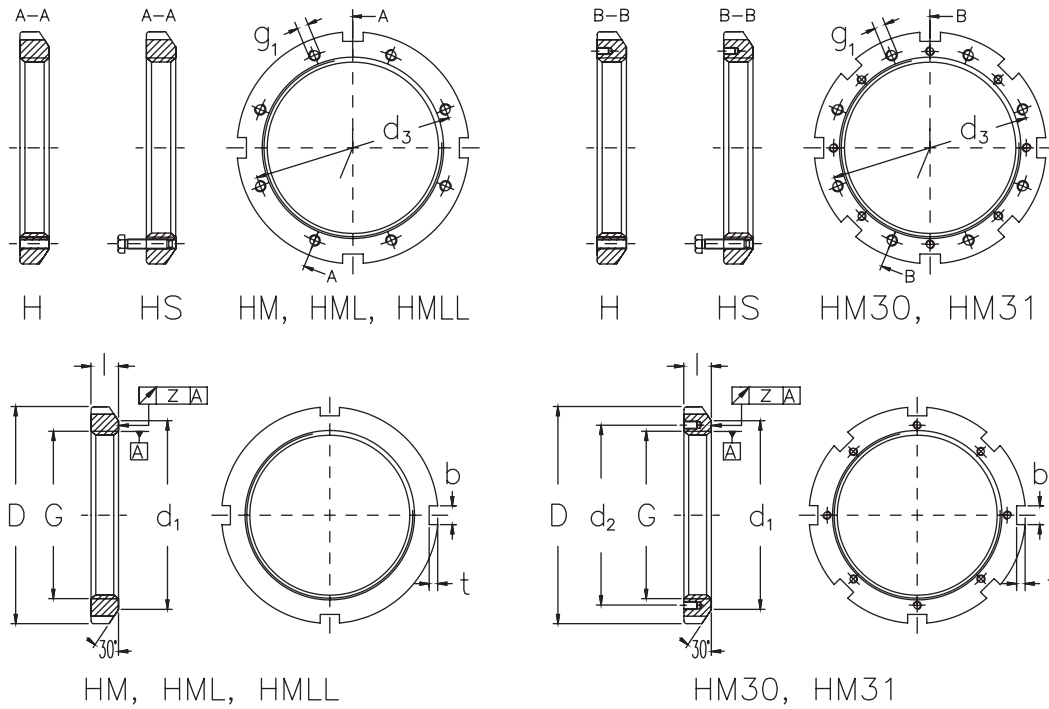


HM, HML, HMLL

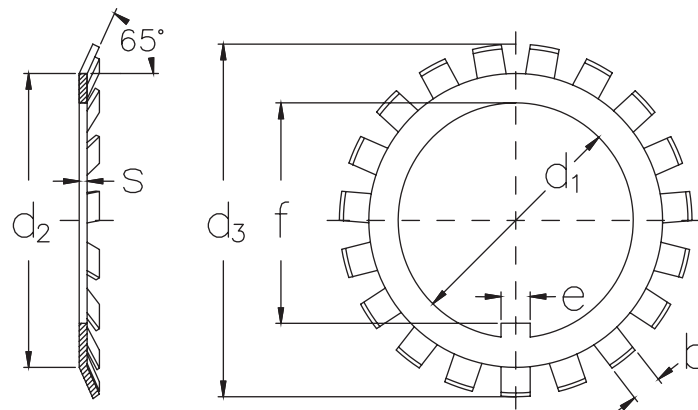


HM30, HM31

Generic code	Rubix engineering code	G	l	D	d1	d2	b	t	z	g1	d3	Weight (kg)	Locking device
HML56T-AKN	891348	Tr 280x4	30	330	310	-	24	10	0.12	-	-	5.49	-
HM56T-AKN	890723	Tr 280x4	36	350	320	-	24	12	0.12	-	-	9.60	MB56-AKN
HM3056-AKN	890703	Tr 280x4	38	330	310	293	24	10	0.12	-	-	6.78	MS3056-AKN
HM3156-AKN	891329	Tr 280x4	38	350	320	301	24	12	0.12	-	-	8.99	MS3152-AKN
HM58T-AKN	890724	Tr 290x4	36	365	335	-	24	12	0.12	-	-	10.30	-
HML60T-AKN	891349	Tr 300x4	31	360	336	-	24	12	0.12	-	-	6.80	-
HM60T-AKN	890725	Tr 300x4	36	370	340	-	24	12	0.12	-	-	10.80	-
HM3060-AKN	890704	Tr 300x4	42	360	336	316	24	12	0.12	-	-	9.62	MS3060-AKN
HM3160-AKN	890713	Tr 300x4	40	380	340	326	24	12	0.12	-	-	11.70	MS3160-AKN
HM62T-AKN	891340	Tr 310x5	36	380	350	-	24	12	0.12	-	-	11.30	-
HML64T-AKN	891350	Tr 320x5	32	380	356	-	24	12	0.12	-	-	7.97	-
HM64T-AKN	891341	Tr 320x5	40	400	370	-	24	12	0.12	-	-	12.00	-
HM3064-AKN	890705	Tr 320x5	42	380	356	336	24	12	0.12	-	-	9.94	MS3064-AKN
HM3164-AKN	891331	Tr 320x5	42	400	360	346	24	12	0.12	-	-	13.00	MS3164-AKN
HM66T-AKN	890726	Tr 330x5	40	410	380	-	28	15	0.12	-	-	13.80	-
HM68T-AKN	891342	Tr 340x5	42	420	390	-	28	15	0.12	-	-	14.60	-
HM3068-AKN	890706	Tr 340x5	45	400	376	356	24	12	0.12	-	-	11.70	MS3064-AKN
HM3168-AKN	890714	Tr 340x5	55	440	400	373	28	15	0.12	-	-	23.00	MS3168-AKN



Generic code	Rubix engineering code	G	l	D	d1	d2	b	t	z	g1	d3	Weight (kg)	Locking device
HML69T-AKN	891351	Tr 345x5	33	410	384	-	28	13	0.12	-	-	9.51	-
HM70T-AKN	890727	Tr 350x5	42	430	400	-	28	15	0.12	-	-	15.40	-
HM72T-AKN	891343	Tr 360x5	45	440	410	-	28	15	0.12	-	-	16.50	-
HM3072-AKN	890707	Tr 360x5	45	420	394	375	28	13	0.12	-	-	12.00	MS3072-AKN
HM3172-AKN	890715	Tr 360x5	58	460	420	393	28	15	0.12	-	-	25.00	MS3168-AKN
HML73T-AKN	891352	Tr 365x5	35	430	404	-	28	13	0.12	-	-	10.70	-
HM74T-AKN	891344	Tr 370x5	45	450	420	-	28	15	0.12	-	-	17.40	-
HM3076-AKN	890708	Tr 380x5	48	450	422	399	28	14	0.12	-	-	14.90	MS3076-AKN
HM3176-AKN	891334	Tr 380x5	60	490	440	415	32	18	0.12	-	-	30.80	MS3176-AKN
HM3080-AKN	890709	Tr 400x5	52	470	442	419	28	14	0.12	-	-	16.90	MS3076-AKN
HM3180-AKN	891335	Tr 400x5	62	520	460	440	32	18	0.12	-	-	36.70	MS3180-AKN
HM3084-AKN	890710	Tr 420x5	52	490	462	439	32	14	0.15	-	-	17.40	MS3084-AKN
HM3184-AKN	891336	Tr 420x5	70	540	490	460	32	18	0.15	-	-	43.30	MS3180-AKN
HM3088-AKN	891324	Tr 440x5	60	520	490	463	32	15	0.15	-	-	26.20	MS3088-AKN
HM3188-AKN	891337	Tr 440x5	70	560	510	478	36	20	0.15	-	-	45.10	MS3188-AKN
HM3092-AKN	890711	Tr 460x5	60	540	510	483	32	15	0.15	-	-	27.00	MS3088-AKN



Generic code	Rubix engineering code	d1	d2	d3	s	e	b	f	Weight (kg)	Locknut
		(mm)								
MB0-AKN	890839	10	13.5	21	1	3	3	8.5	0.130	KM0-AKN
MB10-AKN	890841	50	61	74	1.25	6	6	47.5	0.016	KM10-AKN
MB11-AKN	890842	55	67	81	1.5	8	7	52.5	0.022	KM11-AKN
MB12-AKN	890843	60	73	86	1.5	8	7	57.5	0.025	KM12-AKN
MB13-AKN	890844	65	79	92	1.5	8	7	62.5	0.030	KM13-AKN
MB14-AKN	890845	70	85	98	1.5	8	8	66.5	0.033	KM14-AKN
MB15-AKN	890846	75	90	104	1.5	8	8	71.5	0.036	KM15-AKN
MB16-AKN	890847	80	95	112	1.75	10	8	76.5	0.046	KM16-AKN
MB17-AKN	890848	85	102	119	1.75	10	8	81.5	0.053	KM17-AKN
MB18-AKN	890849	90	108	126	1.75	10	10	86.5	0.062	KM18-AKN
MB19-AKN	890850	95	113	133	1.75	10	10	91.5	0.067	KM19-AKN
MB1-AKN	890840	12	17	25	1	3	3	10.5	0.002	KM1-AKN
MB20-AKN	890852	100	120	142	1.75	12	10	96.5	0.077	KM20-AKN
MB21-AKN	890853	105	126	145	1.75	12	12	100.5	0.083	KM21-AKN
MB22-AKN	890854	110	133	154	1.75	12	12	105.5	0.094	KM22-AKN
MB23-AKN	890855	115	137	159	2	12	12	110.5	0.108	KM23-AKN
MB24-AKN	890856	120	138	164	2	14	12	115	0.108	KM24-AKN
MB25-AKN	890857	125	148	170	2	14	12	120	0.118	KM25-AKN
MB26-AKN	890858	130	149	175	2	14	12	125	0.129	KM26-AKN
MB27-AKN	890859	135	160	185	2	14	14	130	0.144	KM27-AKN
MB28-AKN	890860	140	160	192	2	16	14	135	0.142	KM28-AKN
MB29-AKN	890861	145	172	202	2	16	14	140	0.168	KM29-AKN
MB2-AKN	890851	15	21	28	1	4	4	13.5	0.003	KM2-AKN
MB30-AKN	890863	150	171	205	2	16	14	145	0.180	KM30-AKN
MB31-AKN	890864	155	182	212	2.5	16	16	147.5	0.209	KM31-AKN
MB32-AKN	890865	160	182	217	2.5	18	16	154	0.229	KM32-AKN
MB33-AKN	890866	165	193	222	2.5	18	16	157.5	0.240	KM33-AKN

 MB Lock washers

 MB Arandela de bloqueo

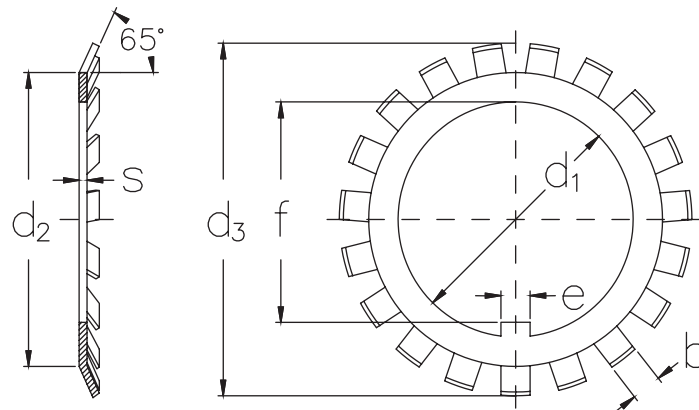
 MB Rondelle de blocage

 MB Sicherungsbleche

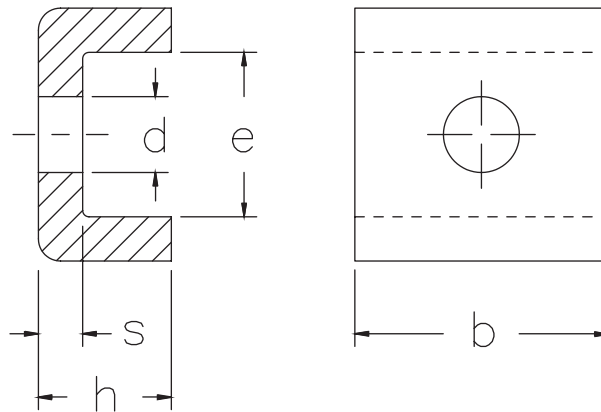
 MB Rosette di sicurezza

 MB Podkładki zębate

MB



Generic code	Rubix engineering code	d1	d2	d3	s	e	b	f	Weight (kg)	Locknut
		(mm)								
MB34-AKN	890867	170	193	232	2.5	18	16	164	0.247	KM34-AKN
MB36-AKN	890868	180	203	242	2.5	20	18	174	0.268	KM36-AKN
MB38-AKN	890869	190	214	252	2.5	20	18	184	0.278	KM38-AKN
MB3-AKN	890862	17	24	32	1	4	4	15.5	0.003	KM3-AKN
MB40-AKN	890871	200	226	262	2.5	20	18	194	0.293	KM40-AKN
MB44-AKN	890872	220	250	292	3	24	20	213	0.350	HM44T-AKN
MB48-AKN	890873	240	270	312	3	24	20	233	0.450	HM48T-AKN
MB4-AKN	890870	20	26	36	1	4	4	18.5	0.004	KM4-AKN
MB52-AKN	890875	260	300	342	3	28	24	253	0.650	HM52T-AKN
MB56-AKN	890876	280	320	362	3	28	24	273	1.050	HM56T-AKN
MB5-AKN	890874	25	32	42	1.25	5	5	23	0.006	KM5-AKN
MB6-AKN	890877	30	38	49	1.25	5	5	27.5	0.008	KM6-AKN
MB7-AKN	890878	35	44	57	1.25	6	5	32.5	0.011	KM7-AKN
MB8-AKN	890879	40	50	62	1.25	6	6	37.5	0.013	KM8-AKN
MB9-AKN	890880	45	56	69	1.25	6	6	42.5	0.015	KM9-AKN
MBL34-AKN	891355	170	190	211	2.5	18	16	164	0.170	KML34-AKN
MBL36-AKN	891356	180	200	222	2.5	20	18	174	0.180	KML36-AKN
MBL38-AKN	891357	190	210	232	2.5	20	18	184	0.205	KML38-AKN
MBL40-AKN	891358	200	222	245	2.5	20	18	194	0.220	KML40-AKN



Generic code	Rubix engineering code	s	b	h	d	e	Weight (kg)	Screw	Locknut
		(mm)							
MS3044-AKN	891359	4	20	12	7	13.5	0.021	M6x12	HM3044-AKN
MS3144-AKN	891368	4	20	12	9	22.5	0.026	M8x16	HM3144-AKN, HM3148-AKN
MS3048-AKN	891360	4	20	12	9	17.5	0.023	M8x16	HM3048-AKN, HM3052-AKN
MS3056-AKN	891361	4	24	12	9	17.5	0.030	M8x16	HM3056-AKN
MS3060-AKN	891362	4	24	12	9	20.5	0.032	M8x16	HM3060-AKN
MS3160-AKN	891369	4	24	12	12	30.5	0.038	M10x20	HM3160-AKN
MS3064-AKN	891363	5	24	15	9	21	0.046	M8x16	HM3064-AKN, HM3068-AKN
MS3164-AKN	891370	5	24	15	12	31	0.054	M10x20	HM3164-AKN
MS3072-AKN	891364	5	28	15	9	20	0.050	M8x16	HM3072-AKN
MS3076-AKN	891365	5	28	15	12	24	0.053	M10x20	HM3076-AKN, HM3080-AKN
MS3176-AKN	891372	5	32	15	14	40	0.080	M12x25	HM3176-AKN
MS3084-AKN	891366	5	32	15	12	24	0.061	M10x20	HM3084-AKN
MS3088-AKN	891367	5	32	15	14	28	0.065	M12x25	HM3088-AKN, HM3092-AKN
MS3168-AKN	891371	5	28	15	14	38	0.067	M12x25	HM3168-AKN, HM3172-AKN
MS3180-AKN	891373	5	32	15	18	45	0.082	M16x30	HM3180-AKN, HM3184-AKN

 **KMTA Clamp nuts**

 **KMTA Écrous de serrage**

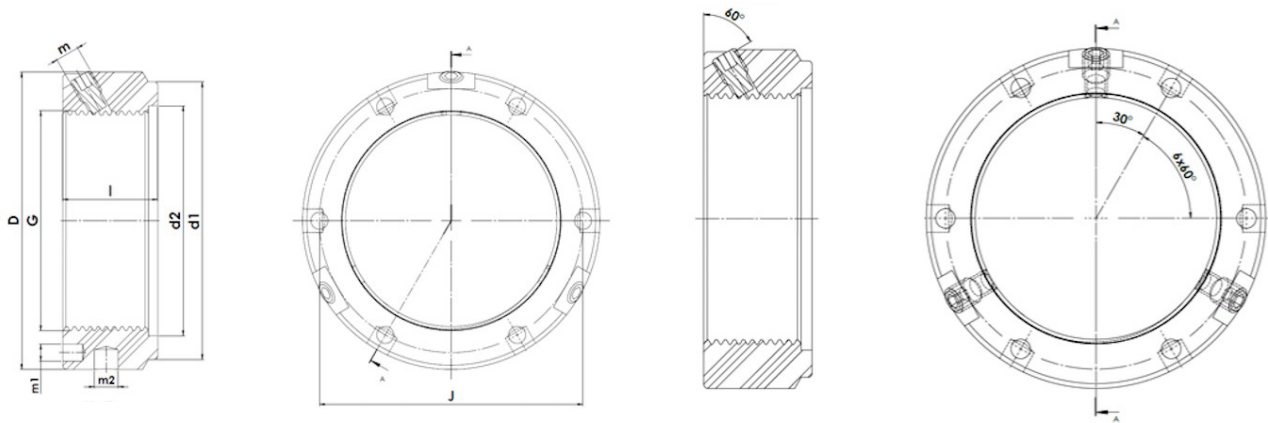
 **KMTA Ghiera di bloccaggio**

 **KMTA Tuercas de abrazadera**

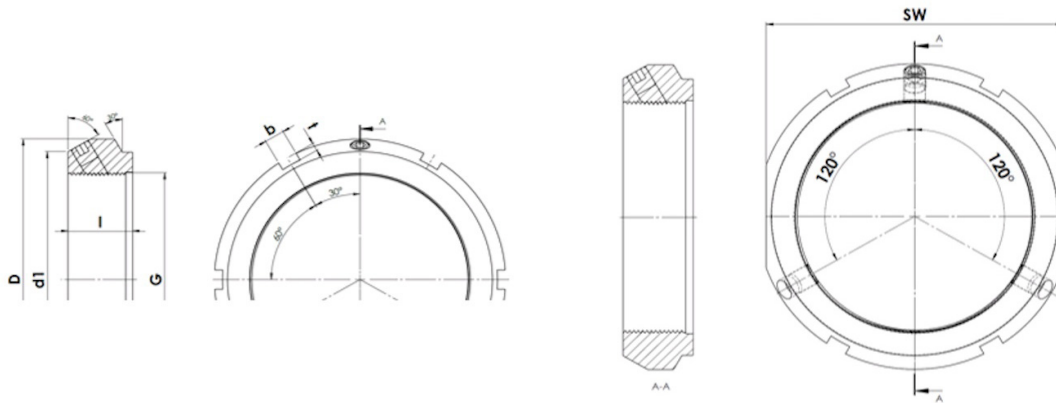
 **KMTA Klemmmutter**

 **KMTA Nakrętki łożyskowe z wkrętem zabezpieczającym**

KMTA



Generic code	Rubix engineering code	G	I	D	d1	d2	J	m	m1	m2	Weight (kg)
			(mm)								
KMTA5-AKN	890833	M 25x1.5	20	42	35	26	32.5	M6	4.3	4	0.13
KMTA6-AKN	890834	M 30x1.5	20	48	40	32	40.5	M6	4.3	5	0.16
KMTA7-AKN	890835	M 35x1.5	20	53	47	38	45.5	M6	4.3	5	0.19
KMTA8-AKN	890836	M 40x1.5	22	58	52	42	50.5	M6	4.3	5	0.23
KMTA9-AKN	890837	M 45x1.5	22	68	58	48	58	M6	4.3	6	0.33
KMTA10-AKN	890815	M 50x1.5	24	70	63	52	61.5	M6	4.3	6	0.34
KMTA11-AKN	890816	M 55x1.5	24	75	70	58	66.5	M6	4.3	6	0.37
KMTA12-AKN	890817	M 60x1.5	24	84	75	62	74.5	M6	5.3	6	0.49
KMTA13-AKN	890818	M 65x1.5	25	88	80	68	78.5	M6	5.3	6	0.52
KMTA14-AKN	890819	M 70x1.5	26	95	86	72	85	M8x1	5.3	8	0.62
KMTA15-AKN	890820	M 75x1.5	26	100	91	77	88	M8x1	6.4	8	0.66
KMTA16-AKN	890821	M 80x2	30	110	97	83	95	M8x1	6.4	8	1.00
KMTA17-AKN	890822	M 85x2	32	115	102	88	100	M10	6.4	8	1.15
KMTA18-AKN	890823	M 90x2	32	120	110	93	108	M10	6.4	8	1.20
KMTA19-AKN	891375	M 95x2	32	125	114	98	113	M10	6.4	8	1.25
KMTA20-AKN	890824	M 100x2	32	130	120	103	118	M10	6.4	8	1.30
KMTA22-AKN	890825	M 110x2	32	140	132	112	128	M10	6.4	8	1.45
KMTA24-AKN	890826	M 120x2	32	155	142	122	140	M10	6.4	8	1.85
KMTA26-AKN	890827	M 130x3	32	165	156	132	153	M10	6.4	8	2.00
KMTA28-AKN	890828	M 140x3	32	180	166	142	165	M10	6.4	10	2.45
KMTA30-AKN	890829	M 150x3	32	190	180	152	175	M10	6.4	10	2.60
KMTA32-AKN	891376	M 160x3	32	205	190	162	185	M10	8.4	10	3.15
KMTA34-AKN	890830	M 170x3	32	215	205	172	195	M10	8.4	10	3.30
KMTA36-AKN	890831	M 180x3	32	230	215	182	210	M10	8.4	10	3.90
KMTA38-AKN	891378	M 190x3	32	240	225	192	224	M10	8.4	10	4.10
KMTA40-AKN	890832	M 200x3	32	245	237	202	229	M10	8.4	10	3.85



Generic code	Rubix engineering code	G	l	D	d1	SW	b	t	Weight (kg)
			(mm)						
KMT1-AKN	890783	M 12x1	14	30	23	27	4	2	0.05
KMT2-AKN	890795	M 15x1	16	33	26	30	4	2	0.08
KMT3-AKN	890801	M 17x1	18	37	29	34	5	2	0.10
KMT4-AKN	890807	M 20x1	18	40	32	36	5	2	0.11
KMT5-AKN	890809	M 25x1.5	20	44	36	41	5	2	0.13
KMT6-AKN	890810	M 30x1.5	20	49	41	46	5	2	0.16
KMT7-AKN	890811	M 35x1.5	22	54	46	50	5	2	0.19
KMT8-AKN	890812	M 40x1.5	22	65	56	60	6	2.5	0.30
KMT9-AKN	890813	M 45x1.5	22	70	61	65	6	2.5	0.33
KMT10-AKN	890784	M 50x1.5	25	75	65	70	7	3	0.40
KMT11-AKN	890785	M 55x2	25	85	74	80	7	3	0.54
KMT12-AKN	890787	M 60x2	26	90	78	85	8	3.5	0.61
KMT13-AKN	890788	M 65x2	28	95	83	90	8	3.5	0.71
KMT14-AKN	890789	M 70x2	28	100	88	95	8	3.5	0.75
KMT15-AKN	890790	M 75x2	28	105	93	100	8	3.5	0.80
KMT16-AKN	890791	M 80x2	32	110	98	-	8	3.5	0.90
KMT17-AKN	890792	M 85x2	32	120	107	-	10	4	1.15
KMT18-AKN	890793	M 90x2	32	125	112	-	10	4	1.20
KMT19-AKN	890794	M 95x2	32	130	117	-	10	4	1.25
KMT20-AKN	890796	M 100x2	32	135	122	-	10	4	1.30
KMT22-AKN	890797	M 110x2	32	145	132	-	10	4	1.45
KMT24-AKN	890798	M 120x2	32	155	142	-	10	4	1.60
KMT26-AKN	890799	M 130x2	32	165	152	-	12	5	1.70
KMT28-AKN	890800	M 140x2	32	175	162	-	14	6	1.80
KMT30-AKN	890802	M 150x2	32	185	172	-	14	6	1.95
KMT32-AKN	890803	M 160x3	32	195	182	-	14	6	2.10
KMT34-AKN	890804	M 170x3	32	205	192	-	14	6	2.20
KMT36-AKN	890805	M 180x3	32	215	202	-	16	7	2.30
KMT38-AKN	890806	M 190x3	32	225	212	-	16	7	2.40
KMT40-AKN	890808	M 200x3	32	235	222	-	18	8	2.50

 ZM Clamp nuts

 ZM Écrous de serrage

 ZM Ghiera di bloccaggio

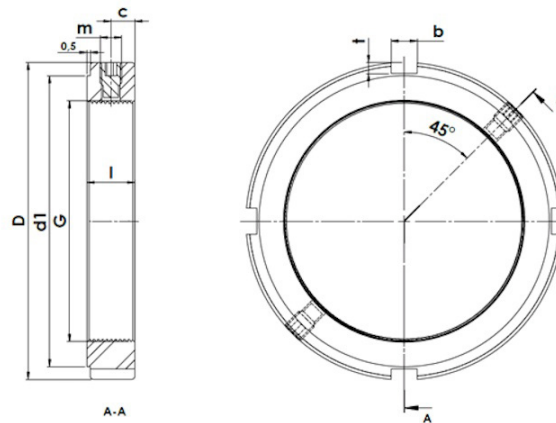
 ZM Tuercas de abrazadera

 ZM Klemmmutter

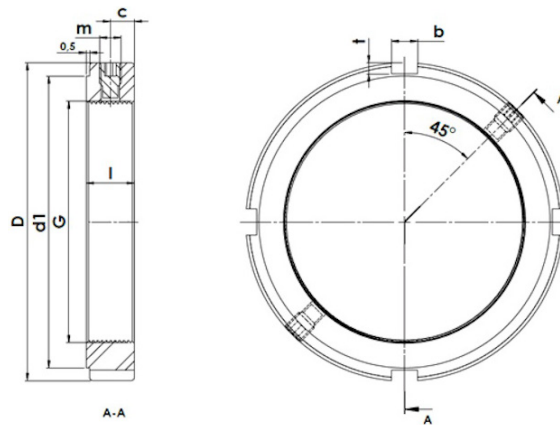
 ZM Nakrętki łożyskowe

z wkrętem zabezpieczającym

ZM



Generic code	Rubix engineering code	G	l	D	d1	m	c	b	t	Weight (kg)
			(mm)							
ZM6-AKN	891379	M 6x0.5	8	16	11	M4	4	3	2	0.01
ZM8-AKN	891380	M 8x0.75	8	16	11	M4	4	3	2	0.01
ZM10-AKN	890882	M 10x1	8	18	14	M4	4	3	2	0.01
ZM12-AKN	890887	M 12x1	8	22	18	M4	4	3	2	0.02
ZM15-AKN	890892	M 15x1	8	25	21	M4	4	3	2	0.02
ZM17-AKN	890894	M 17x1	10	28	23	M5	5	4	2	0.03
ZM20-AKN	890895	M 20x1	10	32	27	M5	5	4	2	0.04
ZM25-AKN	890896	M 25x1.5	12	38	33	M6	6	5	2	0.06
ZM30-AKN	890897	M 30x1.5	12	45	40	M6	6	5	2	0.08
ZM35-AKN	890898	M 35x1.5	12	52	47	M6	6	5	2	0.10
ZM40-AKN	890899	M 40x1.5	14	58	52	M6	7	6	2.5	0.14
ZM45-AKN	890900	M 45x1.5	14	65	59	M6	7	6	2.5	0.17
ZM50-AKN	890901	M 50x1.5	14	70	64	M6	7	6	2.5	0.19
ZM55-AKN	890902	M 55x2	16	75	68	M6	8	7	3	0.23
ZM60-AKN	890903	M 60x2	16	80	73	M6	8	7	3	0.25
ZM65-AKN	890904	M 65x2	16	85	78	M6	8	7	3	0.27
ZM70-AKN	890905	M 70x2	18	92	85	M8	9	8	3.5	0.36
ZM75-AKN	890906	M 75x2	18	98	90	M8	9	8	3.5	0.40
ZM80-AKN	890907	M 80x2	18	105	95	M8	9	8	3.5	0.46
ZM85-AKN	890908	M 85x2	18	110	102	M8	9	8	3.5	0.49
ZM90-AKN	890909	M 90x2	20	120	108	M8	10	10	4	0.70
ZM95-AKN	891381	M 95x2	20	125	113	M8	10	10	4	0.80
ZM100-AKN	890883	M 100x2	20	130	120	M8	10	10	4	0.77
ZM105-AKN	890884	M 105x2	22	140	126	M10	11	12	5	1.05
ZM110-AKN	890885	M 110x2	22	145	133	M10	11	12	5	1.09
ZM115-AKN	890886	M 115x2	22	150	137	M10	11	12	5	1.13
ZM120-AKN	890888	M 120x2	24	155	138	M10	12	12	5	1.28
ZM125-AKN	890889	M 125x2	24	160	148	M10	12	12	5	1.33
ZM130-AKN	890890	M 130x2	24	165	149	M10	12	12	5	1.36
ZM140-AKN	890891	M 140x2	26	180	160	M12	13	14	6	1.85
ZM150-AKN	890893	M 150x2	26	195	171	M12	13	14	6	2.24



Generic code	Rubix engineering code	G	l	D	d1	m	c	b	t	Weight (kg)
ZMA15/33-AKN	891383	M 15x1	16	33	28	M5	8.0	4	2.0	0.08
ZMA20/38-AKN	891384	M 20x1	20	38	33	M5	10.0	5	2.0	0.12
ZMA20/52-AKN	891385	M 20x1	25	52	47	M5	12.5	5	2.0	0.32
ZMA25/45-AKN	891386	M 25x1.5	20	45	40	M6	10.0	5	2.0	0.16
ZMA25/58-AKN	891387	M 25x1.5	28	58	52	M6	14.0	6	2.5	0.43
ZMA30/52-AKN	891388	M 30x1.5	22	52	47	M6	11.0	5	2.0	0.22
ZMA30/65-AKN	891389	M 30x1.5	30	65	59	M6	15.0	6	2.5	0.55
ZMA35/58-AKN	891390	M 35x1.5	22	58	52	M6	11.0	6	2.5	0.26
ZMA35/70-AKN	891391	M 35x1.5	30	70	64	M6	15.0	6	2.5	0.61
ZMA40/62-AKN	891392	M 40x1.5	22	62	56	M8	11.0	6	2.5	0.27
ZMA40/75-AKN	891393	M 40x1.5	30	75	69	M8	15.0	6	2.5	0.67
ZMA45/68-AKN	891394	M 45x1.5	24	68	62	M8	12.0	6	2.5	0.35
ZMA45/85-AKN	891395	M 45x1.5	32	85	78	M8	16.0	7	3.0	0.92
ZMA50/75-AKN	891396	M 50x1.5	25	75	68	M8	12.5	6	2.5	0.43
ZMA50/92-AKN	891397	M 50x1.5	32	92	84	M8	16.0	8	3.5	1.06
ZMA55/98-AKN	891398	M 55x2	32	98	90	M8	16.0	8	3.5	1.17
ZMA60/98-AKN	891399	M 60x2	32	98	90	M8	16.0	8	3.5	1.07
ZMA65/105-AKN	891400	M 65x2	32	105	97	M8	16.0	8	3.5	1.21
ZMA70/110-AKN	891401	M 70x2	35	110	102	M8	17.5	8	3.5	1.40
ZMA75/125-AKN	891402	M 75x2	38	125	117	M8	19.0	8	3.5	2.11
ZMA80/120-AKN	891403	M 80x2	35	120	105	M8	17.5	8	4.0	1.33
ZMA90/130-AKN	891404	M 90x2	38	130	120	M8	19.0	10	4.0	2.01
ZMA90/155-AKN	891405	M 90x2	38	155	146	M8	19.0	10	4.0	3.36
ZMA100/140-AKN	891406	M 100x2	38	140	128	M10	19.0	12	5.0	2.23

In stock and ready to be delivered!



Europe

Rubix Engineering

61, Avenue Tony Garnier
69007 Lyon, France

www.rubix.com

United Kingdom

Rubix U.K. Limited

Dakota House, Concord Business Park
M22 0RR Manchester, UK

uk.rubix.com