

# Spartex



castors and wheels range



## Castor and wheel solutions to keep your operation moving in the right direction.

Every facility has mobile equipment or product movers that are essential to the smooth operation of workflow or production capabilities. The Spartex range of castors and wheels ensure the products used in these key areas are of a high quality, are fully tested, cost effective and are readily available to minimise downtime and maintain productivity.

# Spartex

### Knowledge

With over 80 years of expertise and experience in specifying the right product for the right application for the huge range of variables in the castor and wheels field, no one is better placed to ensure you have the best product for your specific needs.

### Health and Safety

The correct selection of castors and wheels can be essential to resolving H&S issues that can be raised within the manual handling of goods within your workplace. Spartex castors and wheels can be selected to reduce the amount of force required to move a piece of equipment and ensure the operators are working safely and with the applicable regulations.



### Support

- Full Nationwide Technical Support.
- Stores Surveys.
- Site Surveys, identify the correct replacement castors for each piece of equipment on your site.
- H&S Evaluations, ensure employee Safety.

## Contents

### Pressed steel castors

Light duty	2-3
Light to medium duty	4-5
Medium duty	6-9
Medium to heavy duty	10-11
Heavy duty	12-13

### Fabricated steel castors

Heavy duty	14-15
Extra heavy duty	16-17
Extra heavy duty, twinwheel	18-19

### Special application castors

Stainless steel	20-21
High temperature	22
Pneumatic	23
Waste container	23
Jacking	24
Levelling	25
Gate	25

### Wheels

Solid rubber	26
Puncture proof	26
Pneumatic	27
Pallet truck rollers	27
Castor wheels	28



- Pressed steel, light duty castors.
- Plate fixing.
- Swivel or swivel with total stop brake.

# Spartex



## Plate fixing, polypropylene wheel

- Plain bore, polypropylene wheel.
- Suitable for furniture, light apparatus, point of sale display, garment rails.
- Total stop brake locks both wheel and swivel head.

Swivel castor Order code	Swivel castor with brake Order code	Wheel diameter (mm)	Tread width (mm)	Fitted height (mm)	Load capacity (kg)	Top plate size (mm)	Fixing hole centres (mm)	To suit fixing bolt
230A3741	230A3757	50	20	69.5	50	60 x 60	38 x 38	M6
230A3745	230A3761	75	25	100	70	60 x 60	38 x 38	M6
230A3749	230A3765	100	27	134	80	76 x 76	58 x 58	M8
230A3753	230A3769	125	27	155.5	100	76 x 76	58 x 58	M8



## Plate fixing, grey rubber tyred wheel

- Plain bore, thermoplastic rubber tyred wheel with nylon centre.
- Suitable for furniture, light apparatus, point of sale display, garment rails.
- Total stop brake locks both wheel and swivel head.

Swivel castor Order code	Swivel castor with brake Order code	Wheel diameter (mm)	Tread width (mm)	Fitted height (mm)	Load capacity (kg)	Top plate size (mm)	Fixing hole centres (mm)	To suit fixing bolt
230A3743	230A3759	50	20	69.5	50	60 x 60	38 x 38	M6
230A3747	230A3763	75	25	100	70	60 x 60	38 x 38	M6
230A3751	230A3767	100	27	134	80	76 x 76	58 x 58	M8
230A3755	230A3771	125	27	157	100	76 x 76	58 x 58	M8



## Twinwheel, plate fixing, polypropylene wheel

- Plain bore, polypropylene wheel.
- Suitable for furniture, light apparatus, point of sale display, garment rails.
- Total stop brake locks both wheel and swivel head.

Swivel castor Order code	Swivel castor with brake Order code	Wheel diameter (mm)	Tread width (mm)	Fitted height (mm)	Load capacity (kg)	Top plate size (mm)	Fixing hole centres (mm)	To suit fixing bolt
230A3725	230A3733	50	20 x 2	71	80	60 x 60	38 x 38	M6
230A3729	230A3737	75	25 x 2	103	100	60 x 60	38 x 38	M6



## Twinwheel, plate fixing, grey rubber tyred wheel

- Plain bore, thermoplastic rubber tyred wheel with nylon centre.
- Suitable for furniture, light apparatus, point of sale display, garment rails.
- Total stop brake locks both wheel and swivel head.

Swivel castor Order code	Swivel castor with brake Order code	Wheel diameter (mm)	Tread width (mm)	Fitted height (mm)	Load capacity (kg)	Top plate size (mm)	Fixing hole centres (mm)	To suit fixing bolt
230A3727	230A3735	50	20 x 2	71	80	60 x 60	38 x 38	M6
230A3731	230A3739	75	25 x 2	103	100	60 x 60	38 x 38	M6

- Pressed steel, light duty castors.
- Single hole fixing.
- Swivel or swivel with total stop brake.



## Single hole fixing, polypropylene wheel



- Plain bore, polypropylene wheel.
- Suitable for furniture, light apparatus, point of sale display, garment rails.
- Total stop brake locks both wheel and swivel head.

Swivel castor Order code	Swivel castor with brake Order code	Wheel diameter (mm)	Tread width (mm)	Fitted height (mm)	Load capacity (kg)	To suit fixing bolt
230A3740	230A3756	50	20	68	50	M10
230A3744	230A3760	75	25	98	70	M10
230A3748	230A3764	100	27	131.5	80	M12
230A3752	230A3768	125	27	153	100	M12

## Single hole fixing, grey rubber tyred wheel



- Plain bore, thermoplastic rubber tyred wheel with nylon centre.
- Suitable for furniture, light apparatus, point of sale display, garment rails.
- Total stop brake locks both wheel and swivel head.

Swivel castor Order code	Swivel castor with brake Order code	Wheel diameter (mm)	Tread width (mm)	Fitted height (mm)	Load capacity (kg)	To suit fixing bolt
230A3742	230A3758	50	20	68	50	M10
230A3746	230A3762	75	25	98	70	M10
230A3750	230A3766	100	27	131.5	80	M12
230A3754	230A3770	125	27	154.5	100	M12

## Twinwheel, single hole fixing, polypropylene wheel



- Plain bore, polypropylene wheel.
- Suitable for furniture, light apparatus, point of sale display, garment rails.
- Total stop brake locks both wheel and swivel head.

Swivel castor Order code	Swivel castor with brake Order code	Wheel diameter (mm)	Tread width (mm)	Fitted height (mm)	Load capacity (kg)	To suit fixing bolt
230A3724	230A3732	50	20 x 2	71	80	M10
230A3728	230A3736	75	25 x 2	100	100	M10

## Twinwheel, single hole fixing, grey rubber tyred wheel



- Plain bore, thermoplastic rubber tyred wheel with nylon centre.
- Suitable for furniture, light apparatus, point of sale display, garment rails.
- Total stop brake locks both wheel and swivel head.

Swivel castor Order code	Swivel castor with brake Order code	Wheel diameter (mm)	Tread width (mm)	Fitted height (mm)	Load capacity (kg)	To suit fixing bolt
230A3726	230A3734	50	20 x 2	71	80	M10
230A3730	230A3738	75	25 x 2	100	100	M10

## Expanding adaptors for tube



- Supplied separately
- Adapt a single hole fixing castor for use with square or round tube.
- Simply remove wheel...fit adaptor...refit wheel.
- Insert into tube and tighten from below to expand adaptor inside tube.

Round adaptors Order code	To suit castor fixing hole (mm)	Expansion range (mm)
2587824	10	19.0 - 21.5
2587825	10	21.5 - 24.0
2587826	10	24.0 - 27.0
2587827	10	27.0 - 30.0
2587828	12	19.0 - 21.5
2587829	12	21.5 - 24.0
2587830	12	24.0 - 27.0
2587831	12	27.0 - 30.0

Square adaptors Order code	To suit castor fixing hole (mm)	Expansion range (mm)
2587832	10	19.0 - 21.5
2587833	10	21.5 - 24.0
2587834	10	24.0 - 27.0
2587835	10	27.0 - 30.0
2587836	12	19.0 - 21.5
2587837	12	21.5 - 24.0
2587838	12	24.0 - 27.0
2587839	12	27.0 - 30.0





- Pressed steel, light to medium duty castors.
- Plate fixing.
- Swivel, fixed or swivel with total stop brake.

# Spartex

## Plate fixing, nylon wheel



- Ball journal bearing, nylon wheel.
- Suitable for general applications including institutional, furniture, catering, medical equipment.
- Total stop brake locks both wheel and swivel head.

Swivel castor Order code	Fixed castor Order code	Swivel castor with brake Order code	Wheel diameter (mm)	Tread width (mm)	Fitted height (mm)	Load capacity (kg)	Top plate size (mm)	Fixing hole centres (mm)	To suit fixing bolt
230A3775	230A3798	230A3812	75	30	105	100	105 x 80	80 x 60	M8
230A3784	230A3802	230A3820	100	30	130	150	105 x 80	80 x 60	M8
230A3792	230A3806	230A3828	125	30	156	170	105 x 80	80 x 60	M8

## Plate fixing, grey rubber tyred wheel



- Ball journal bearing, thermoplastic rubber tyred wheel with nylon centre.
- Suitable for general applications including institutional, furniture, catering, medical equipment.
- Total stop brake locks both wheel and swivel head.

Swivel castor Order code	Fixed castor Order code	Swivel castor with brake Order code	Wheel diameter (mm)	Tread width (mm)	Fitted height (mm)	Load capacity (kg)	Top plate size (mm)	Fixing hole centres (mm)	To suit fixing bolt
230A3780	230A3800	230A3816	75	30	105	80	105 x 80	80 x 60	M8
230A3788	230A3804	230A3824	100	30	130	100	105 x 80	80 x 60	M8
230A3796	230A3808	230A3832	125	30	156	120	105 x 80	80 x 60	M8

## Plate fixing, blue rubber tyred wheel



- Ball journal bearing, blue rubber tyred wheel with nylon centre.
- Suitable for general applications including institutional, furniture, catering, medical equipment.
- Total stop brake locks both wheel and swivel head.

Swivel castor Order code	Fixed castor Order code	Swivel castor with brake Order code	Wheel diameter (mm)	Tread width (mm)	Fitted height (mm)	Load capacity (kg)	Top plate size (mm)	Fixing hole centres (mm)	To suit fixing bolt
230A3773	230A3797	230A3810	75	30	105	100	105 x 80	80 x 60	M8
230A3782	230A3801	230A3818	100	30	130	120	105 x 80	80 x 60	M8
230A3790	230A3805	230A3826	125	30	156	140	105 x 80	80 x 60	M8

## Plate fixing, polyurethane tyred wheel



- Ball journal bearing, polyurethane tyred wheel with nylon centre.
- Suitable for general applications including institutional, furniture, catering, medical equipment.
- Total stop brake locks both wheel and swivel head.

Swivel castor Order code	Fixed castor Order code	Swivel castor with brake Order code	Wheel diameter (mm)	Tread width (mm)	Fitted height (mm)	Load capacity (kg)	Top plate size (mm)	Fixing hole centres (mm)	To suit fixing bolt
230A3777	230A3799	230A3814	75	30	105	100	105 x 80	80 x 60	M8
230A3786	230A3803	230A3822	100	30	130	150	105 x 80	80 x 60	M8
230A3794	230A3807	230A3830	125	30	156	170	105 x 80	80 x 60	M8

- Pressed steel, light to medium duty castors.
- Single hole fixing.
- Swivel or swivel with total stop brake.



## Single hole fixing, nylon wheel



- Ball journal bearing, nylon wheel.
- Suitable for general applications including institutional, furniture, catering, medical equipment.
- Total stop brake locks both wheel and swivel head.

Swivel castor Order code	Swivel castor with brake Order code	Wheel diameter (mm)	Tread width (mm)	Fitted height (mm)	Load capacity (kg)	To suit fixing bolt
230A3774	230A3811	75	30	102	100	M12
230A3783	230A3819	100	30	128	150	M12
230A3791	230A3827	125	30	155	170	M12

## Single hole fixing, grey rubber tyred wheel



- Ball journal bearing, grey thermoplastic rubber tyred wheel with nylon centre.
- Suitable for general applications including institutional, furniture, catering, medical equipment.
- Total stop brake locks both wheel and swivel head.

Swivel castor Order code	Swivel castor with brake Order code	Wheel diameter (mm)	Tread width (mm)	Fitted height (mm)	Load capacity (kg)	To suit fixing bolt
230A3779	230A3815	75	30	102	80	M12
230A3787	230A3823	100	30	128	100	M12
230A3795	230A3831	125	30	155	120	M12

## Single hole fixing, blue rubber tyred wheel



- Ball journal bearing, blue rubber tyred wheel with nylon centre.
- Suitable for general applications including institutional, furniture, catering, medical equipment.
- Total stop brake locks both wheel and swivel head.

Swivel castor Order code	Swivel castor with brake Order code	Wheel diameter (mm)	Tread width (mm)	Fitted height (mm)	Load capacity (kg)	To suit fixing bolt
230A3772	230A3809	75	30	102	100	M12
230A3781	230A3817	100	30	128	120	M12
230A3789	230A3825	125	30	155	140	M12

## Single hole fixing, polyurethane tyred wheel



- Ball journal bearing, polyurethane tyred wheel with nylon centre.
- Suitable for general applications including institutional, furniture, catering, medical equipment.
- Total stop brake locks both wheel and swivel head.

Swivel castor Order code	Swivel castor with brake Order code	Wheel diameter (mm)	Tread width (mm)	Fitted height (mm)	Load capacity (kg)	To suit fixing bolt
230A3776	230A3813	75	30	102	100	M12
230A3785	230A3821	100	30	128	150	M12
230A3793	230A3829	125	30	155	170	M12

## Expanding adaptors for tube



- Supplied separately
- Adapt a single hole fixing castor for use with square or round tube.
- Simply remove wheel...fit adaptor...refit wheel.
- Insert into tube and tighten from below to expand adaptor inside tube.



Round adaptors Order code	To suit castor fixing hole (mm)	Expansion range (mm)
2587828	12	19.0 - 21.5
2587829	12	21.5 - 24.0
2587830	12	24.0 - 27.0
2587831	12	27.0 - 30.0



Square adaptors Order code	To suit castor fixing hole (mm)	Expansion range (mm)
2587836	12	19.0 - 21.5
2587837	12	21.5 - 24.0
2587838	12	24.0 - 27.0
2587839	12	27.0 - 30.0



- Pressed steel, medium duty castors.
- Plate fixing.
- Swivel, fixed or swivel with total stop brake.

# Spartex

## Plate fixing, nylon wheel



- Roller bearing, nylon wheel.
- Suitable for industrial trucks and trollies, kitting trollies, flat bed trucks, general internal factory applications.
- Total stop brake locks both wheel and swivel head.

Swivel castor Order code	Fixed castor Order code	Swivel castor with brake Order code	Wheel diameter (mm)	Tread width (mm)	Fitted height (mm)	Load capacity (kg)	Top plate size (mm)	Fixing hole centres (mm)	To suit fixing bolt
230A3840	230A3896	230A3930	80	32	105	120	104 x 80 (fixed=87)	80 x 60	M8
230A3852	230A3902	230A3942	100	32	128	150	104 x 80 (fixed=87)	80 x 60	M8
230A3864	230A3908	230A3954	125	35	155	200	104 x 80 (fixed=87)	80 x 60	M8
230A3876	230A3914	230A3966	160	45	195	350	135 x 110	105 x 80	M10
230A3888	230A3920	230A3978	200	50	235	400	135 x 110	105 x 80	M10

## Plate fixing, rubber tyred wheel



- Roller bearing, rubber tyred wheel with polypropylene centre.
- Suitable for industrial trucks and trollies, kitting trollies, flat bed trucks, general internal factory applications.
- Total stop brake locks both wheel and swivel head.

Swivel castor Order code	Fixed castor Order code	Swivel castor with brake Order code	Wheel diameter (mm)	Tread width (mm)	Fitted height (mm)	Load capacity (kg)	Top plate size (mm)	Fixing hole centres (mm)	To suit fixing bolt
230A3834	230A3893	230A3924	80	25	105	50	104 x 80 (fixed=87)	80 x 60	M8
230A3846	230A3899	230A3936	100	27	128	70	104 x 80 (fixed=87)	80 x 60	M8
230A3858	230A3905	230A3948	125	37	155	100	104 x 80 (fixed=87)	80 x 60	M8
230A3870	230A3911	230A3960	160	38	195	135	135 x 110	105 x 80	M10
230A3882	230A3917	230A3972	200	46	235	235	135 x 110	105 x 80	M10

## Plate fixing, rubber tyred wheel



- Roller bearing, rubber tyred wheel with pressed steel centre.
- Suitable for industrial trucks and trollies, kitting trollies, flat bed trucks, general internal factory applications.
- Total stop brake locks both wheel and swivel head.

Note: For waste container applications, please refer to page 23.

Swivel castor Order code	Fixed castor Order code	Swivel castor with brake Order code	Wheel diameter (mm)	Tread width (mm)	Fitted height (mm)	Load capacity (kg)	Top plate size (mm)	Fixing hole centres (mm)	To suit fixing bolt
230A3844	230A3898	230A3934	80	25	105	50	104 x 80 (fixed=87)	80 x 60	M8
230A3856	230A3904	230A3946	100	27	128	70	104 x 80 (fixed=87)	80 x 60	M8
230A3868	230A3910	230A3958	125	37	155	100	104 x 80 (fixed=87)	80 x 60	M8
230A3880	230A3916	230A3970	160	38	195	135	135 x 110	105 x 80	M10
230A3892	230A3922	230A3982	200	46	235	235	135 x 110	105 x 80	M10

- Pressed steel, medium duty castors.
- Single hole fixing.
- Swivel or swivel with total stop brake.



## Single hole fixing, nylon wheel



- Roller bearing, nylon wheel.
- Suitable for industrial trucks and trollies, kitting trollies, flat bed trucks, general internal factory applications.
- Total stop brake locks both wheel and swivel head.

Swivel castor Order code	Swivel castor with brake Order code	Wheel diameter (mm)	Tread width (mm)	Fitted height (mm)	Load capacity (kg)	To suit fixing bolt
230A3839	230A3929	80	32	105	120	M12
230A3851	230A3941	100	32	128	150	M12
230A3863	230A3953	125	35	155	200	M12
230A3875	230A3965	160	45	195	350	M12
230A3887	230A3977	200	50	235	400	M12

## Single hole fixing, rubber tyred wheel



- Roller bearing, rubber tyred wheel with polypropylene centre.
- Suitable for industrial trucks and trollies, kitting trollies, flat bed trucks, general internal factory applications.
- Total stop brake locks both wheel and swivel head.

Swivel castor Order code	Swivel castor with brake Order code	Wheel diameter (mm)	Tread width (mm)	Fitted height (mm)	Load capacity (kg)	To suit fixing bolt
230A3833	230A3923	80	25	105	50	M12
230A3845	230A3935	100	27	128	70	M12
230A3857	230A3947	125	37	155	100	M12
230A3869	230A3959	160	38	195	135	M12
230A3881	230A3971	200	46	235	235	M12

## Single hole fixing, rubber tyred wheel



- Roller bearing, rubber tyred wheel with pressed steel centre.
- Suitable for industrial trucks and trollies, kitting trollies, flat bed trucks, general internal factory applications.
- Total stop brake locks both wheel and swivel head.

Swivel castor Order code	Swivel castor with brake Order code	Wheel diameter (mm)	Tread width (mm)	Fitted height (mm)	Load capacity (kg)	To suit fixing bolt
230A3843	230A3933	80	25	105	50	M12
230A3855	230A3945	100	27	128	70	M12
230A3867	230A3957	125	37	155	100	M12
230A3879	230A3969	160	38	195	135	M12
230A3891	230A3981	200	46	235	235	M12





- Pressed steel, medium duty castors.
- Plate fixing.
- Swivel, fixed or swivel with total stop brake.

# Spartex

## Plate fixing, grey rubber tyred wheel



- 80-125mm: Roller bearing, grey rubber tyred wheel with nylon centre.
- 160-200mm: Ball journal bearing, grey rubber tyred wheel with nylon centre.
- Suitable for industrial trucks and trollies, kitting trollies, flat bed trucks, general internal factory applications.
- Total stop brake locks both wheel and swivel head.

Swivel castor Order code	Fixed castor Order code	Swivel castor with brake Order code	Wheel diameter (mm)	Tread width (mm)	Fitted height (mm)	Load capacity (kg)	Top plate size (mm)	Fixing hole centres (mm)	To suit fixing bolt
245A7056	245A7057	245A7058	80	40	105	100	104 x 80 (fixed=87)	80 x 60	M8
245A7066	245A7067	245A7068	100	40	128	160	104 x 80 (fixed=87)	80 x 60	M8
245A7076	245A7077	245A7078	125	40	155	200	104 x 80 (fixed=87)	80 x 60	M8
230A3874	230A3913	230A3964	160	50	195	350	135 x 110	105 x 80	M10
230A3886	230A3919	230A3976	200	50	235	400	135 x 110	105 x 80	M10

## Plate fixing, blue rubber tyred wheel



- 80-125mm: Roller bearing, blue rubber tyred wheel with nylon centre.
- 160-200mm: Ball journal bearing, blue rubber tyred wheel with nylon centre.
- Suitable for industrial trucks and trollies, kitting trollies, flat bed trucks, general internal factory applications.
- Total stop brake locks both wheel and swivel head.

Swivel castor Order code	Fixed castor Order code	Swivel castor with brake Order code	Wheel diameter (mm)	Tread width (mm)	Fitted height (mm)	Load capacity (kg)	Top plate size (mm)	Fixing hole centres (mm)	To suit fixing bolt
245A7051	245A7052	245A7053	80	40	105	100	104 x 80 (fixed=87)	80 x 60	M8
245A7061	245A7062	245A7063	100	40	128	160	104 x 80 (fixed=87)	80 x 60	M8
245A7071	245A7072	245A7073	125	40	155	200	104 x 80 (fixed=87)	80 x 60	M8
230A3872	230A3912	230A3962	160	50	195	350	135 x 110	105 x 80	M10
230A3884	230A3918	230A3974	200	50	235	400	135 x 110	105 x 80	M10

## Plate fixing, polyurethane tyred wheel



- Roller bearing, polyurethane tyred wheel with nylon centre.
- Suitable for industrial trucks and trollies, kitting trollies, flat bed trucks, general internal factory applications.
- Total stop brake locks both wheel and swivel head.

Swivel castor Order code	Fixed castor Order code	Swivel castor with brake Order code	Wheel diameter (mm)	Tread width (mm)	Fitted height (mm)	Load capacity (kg)	Top plate size (mm)	Fixing hole centres (mm)	To suit fixing bolt
230A3842	230A3897	230A3932	80	32	105	120	104 x 80 (fixed=87)	80 x 60	M8
230A3854	230A3903	230A3944	100	32	128	150	104 x 80 (fixed=87)	80 x 60	M8
230A3866	230A3909	230A3956	125	38	155	200	104 x 80 (fixed=87)	80 x 60	M8
230A3878	230A3915	230A3968	160	50	195	350	135 x 110	105 x 80	M10
230A3890	230A3921	230A3980	200	50	235	400	135 x 110	105 x 80	M10

- Pressed steel, medium duty castors.
- Single hole fixing.
- Swivel or swivel with total stop brake.



## Single hole fixing, grey rubber tyred wheel



- 80-125mm: Roller bearing, grey rubber tyred wheel with nylon centre.
- 160-200mm: Ball journal bearing, grey rubber tyred wheel with nylon centre.
- Suitable for industrial trucks and trolleys, kitting trolleys, flat bed trucks, general internal factory applications.
- Total stop brake locks both wheel and swivel head.

Swivel castor Order code	Swivel castor with brake Order code	Wheel diameter (mm)	Tread width (mm)	Fitted height (mm)	Load capacity (kg)	To suit fixing bolt
245A7054	245A7055	80	40	105	100	M12
245A7064	245A7065	100	40	128	160	M12
245A7074	245A7075	125	40	155	200	M12
230A3873	230A3963	160	50	195	350	M12
230A3885	230A3975	200	50	235	400	M12

## Single hole fixing, blue rubber tyred wheel



- 80-125mm: Roller bearing, blue rubber tyred wheel with nylon centre.
- 160-200mm: Ball journal bearing, blue rubber tyred wheel with nylon centre.
- Suitable for industrial trucks and trolleys, kitting trolleys, flat bed trucks, general internal factory applications.
- Total stop brake locks both wheel and swivel head.

Swivel castor Order code	Swivel castor with brake Order code	Wheel diameter (mm)	Tread width (mm)	Fitted height (mm)	Load capacity (kg)	To suit fixing bolt
245A7049	245A7050	80	40	105	100	M12
245A7059	245A7060	100	40	128	160	M12
245A7069	245A7070	125	40	155	200	M12
230A3871	230A3961	160	50	195	350	M12
230A3883	230A3973	200	50	235	400	M12

## Single hole fixing, polyurethane tyred wheel



- Roller bearing, polyurethane tyred wheel with nylon centre.
- Suitable for industrial trucks and trolleys, kitting trolleys, flat bed trucks, general internal factory applications.
- Total stop brake locks both wheel and swivel head.

Swivel castor Order code	Swivel castor with brake Order code	Wheel diameter (mm)	Tread width (mm)	Fitted height (mm)	Load capacity (kg)	To suit fixing bolt
230A3841	230A3931	80	32	105	120	M12
230A3853	230A3943	100	32	128	150	M12
230A3865	230A3955	125	38	155	200	M12
230A3877	230A3967	160	50	195	350	M12
230A3889	230A3979	200	50	235	400	M12



- Pressed steel, medium duty castors.
- Plate fixing, thread fixing.
- Swivel, fixed or swivel with wheel brake.

# Spartex

## Plate fixing, nylon wheel



- Plain bore, nylon wheel.
- Imperial equivalent dimensions suitable for legacy equipment.
- Brake acts on wheel only.

Swivel castor Order code	Fixed castor Order code	Swivel castor with brake Order code	Wheel diameter (mm)	Tread width (mm)	Fitted height (mm)	Load capacity (kg)	Top plate size (mm)	Fixing hole centres (mm)	To suit fixing bolt
230A3983	230A3987	230A3984	50	22	63	54	swivel=66 x 48 fixed=68 x 38	54x24	M6
230A3989	230A3993	230A3990	65	28	82	122	swivel=99 x 70 fixed=112 x 50	swivel=76 x 44 fixed=89 x 27	M8
230A3995	230A4001	230A3996	75	32	93	170	swivel=105 x 79 fixed=123 x 57	swivel=80 x 60 fixed=100 x 30	M8
219A7367	2588009	2588011	100	32	127	270	swivel=130 x 102 fixed=156 x 79	swivel=103 x 76 fixed=127 x 44	M10

## Plate fixing, blue rubber tyred wheel



- Plain bore, blue rubber tyred wheel with nylon centre.
- Imperial equivalent dimensions suitable for legacy equipment.
- Brake acts on wheel only.

Swivel castor Order code	Fixed castor Order code	Swivel castor with brake Order code	Wheel diameter (mm)	Tread width (mm)	Fitted height (mm)	Load capacity (kg)	Top plate size (mm)	Fixing hole centres (mm)	To suit fixing bolt
230A3985	230A3988	230A3986	50	22	63	27	swivel=66 x 48 fixed=68 x 38	54x24	M6
230A3991	230A3994	230A3992	65	28	82	60	swivel=99 x 70 fixed=112 x 50	swivel=76 x 44 fixed=89 x 27	M8
230A3998	230A4002	230A3999	75	32	93	90	swivel=105 x 79 fixed=123 x 57	swivel=80 x 60 fixed=100 x 30	M8
2588015	2588019	2588021	100	32	127	160	swivel=130 x 102 fixed=156 x 79	swivel=103 x 76 fixed=127 x 44	M10

## Stud fixing, nylon wheel



- Plain bore, nylon wheel.
- Threaded stud supplied with nut.

Swivel castor Order code	Wheel diameter (mm)	Tread width (mm)	Fitted height (mm)	Load capacity (kg)	Thread size (mm)
230A3997	75	32	93	170	M12 x 25

## Stud fixing, rubber tyred wheel



- Plain bore, blue rubber tyred wheel with nylon centre.
- Threaded stud supplied with nut.

Swivel castor Order code	Wheel diameter (mm)	Tread width (mm)	Fitted height (mm)	Load capacity (kg)	Thread size (mm)
230A4000	75	32	93	90	M12 x 25

- Pressed steel, medium to heavy duty castors.
- Plate fixing.
- Swivel, fixed or swivel with total stop brake.



## Plate fixing, nylon wheel



- Roller bearing, nylon wheel.
- Suitable for roll containers, glass handling equipment, pallet dollies.
- Total stop brake locks both wheel and swivel head.

Swivel castor Order code	Fixed castor Order code	Swivel castor with brake Order code	Wheel diameter (mm)	Tread width (mm)	Fitted height (mm)	Load capacity (kg)	Top plate size (mm)	Fixing hole centres (mm)	To suit fixing bolt
230A4003	230A4009	230A4004	100	32	132	250	104 x 83 (fixed=103 x 87)	80 x 60	M8
230A4012	230A4018	230A4013	125	38	155	250	104 x 83 (fixed=103 x 87)	80 x 60	M8
230A4021	230A4027	230A4022	150	40	190	500	135 x 110	105 x 80	M10
230A4031	230A4037	230A4032	200	45	235	500	135 x 110	105 x 80	M10

## Plate fixing, blue rubber tyred wheel



- Roller bearing, blue rubber tyred wheel with nylon centre.
- Suitable for roll containers, glass handling equipment, pallet dollies.
- Total stop brake locks both wheel and swivel head.

Swivel castor Order code	Fixed castor Order code	Swivel castor with brake Order code	Wheel diameter (mm)	Tread width (mm)	Fitted height (mm)	Load capacity (kg)	Top plate size (mm)	Fixing hole centres (mm)	To suit fixing bolt
230A4007	230A4011	230A4008	100	36	132	160	104 x 83 (fixed=103 x 87)	80 x 60	M8
230A4016	220A4020	230A4017	125	37	155	200	104 x 83 (fixed=103 x 87)	80 x 60	M8
230A4025	230A4029	230A4026	150	50	190	300	135 x 110	105 x 80	M10
230A4035	230A4039	230A4036	200	50	235	450	135 x 110	105 x 80	M10

## Plate fixing, polyurethane tyred wheel



- Roller bearing, polyurethane tyred wheel with nylon centre.
- Suitable for roll containers, glass handling equipment, pallet dollies.
- Total stop brake locks both wheel and swivel head.

Swivel castor Order code	Fixed castor Order code	Swivel castor with brake Order code	Wheel diameter (mm)	Tread width (mm)	Fitted height (mm)	Load capacity (kg)	Top plate size (mm)	Fixing hole centres (mm)	To suit fixing bolt
230A4005	230A4010	230A4006	100	36	132	250	104 x 83 (fixed=103 x 87)	80 x 60	M8
230A4014	230A4019	230A4015	125	36	155	250	104 x 83 (fixed=103 x 87)	80 x 60	M8
230A4023	230A4028	230A4024	150	50	190	500	135 x 110	105 x 80	M10
230A4033	230A4038	230A4034	200	50	235	500	135 x 110	105 x 80	M10





- Pressed steel, heavy duty castors.
- Plate fixing.
- Swivel, fixed or swivel with total stop brake.

# Spartex

## Plate fixing, nylon wheel



- Ball journal bearing, nylon wheel.
- Suitable for lineside equipment, automotive applications, airside towing applications.
- Total stop brake locks both wheel and swivel head.

Swivel castor Order code	Fixed castor Order code	Swivel castor with brake Order code	Wheel diameter (mm)	Tread width (mm)	Fitted height (mm)	Load capacity (kg)	Top plate size (mm)	Fixing hole centres (mm)	To suit fixing bolt
245A7091	245A7092	245A7093	100	50	150.5	500	135 x 110	105 x 80	M10
245A7109	245A7110	245A7111	125	50	178	600	135 x 110	105 x 80	M10
245A7127	245A7128	245A7129	160	50	205	800	135 x 110	105 x 80	M10
245A7145	245A7146	245A7147	200	50	245	1100	135 x 110	105 x 80	M10
245A7154	245A7155	245A7156	250	50	294	1200	135 x 110	105 x 80	M10

## Plate fixing, grey polyurethane tyred nylon wheel



- Ball journal bearing, grey polyurethane tyred wheel with nylon centre.
- Suitable for lineside equipment, automotive applications, airside towing applications.
- Total stop brake locks both wheel and swivel head.

Swivel castor Order code	Fixed castor Order code	Swivel castor with brake Order code	Wheel diameter (mm)	Tread width (mm)	Fitted height (mm)	Load capacity (kg)	Top plate size (mm)	Fixing hole centres (mm)	To suit fixing bolt
245A7088	245A7089	245A7090	100	40	150.5	300	135 x 110	105 x 80	M10
245A7106	245A7107	245A7108	125	45	178	400	135 x 110	105 x 80	M10
245A7124	245A7125	245A7126	160	50	205	500	135 x 110	105 x 80	M10
245A7142	245A7143	245A7144	200	57	245	800	135 x 110	105 x 80	M10

## Plate fixing, rubber tyred wheel



- Ball journal bearing, rubber tyred wheel with aluminium centre.
- Suitable for lineside equipment, automotive applications, airside towing applications.
- Total stop brake locks both wheel and swivel head.

Swivel castor Order code	Fixed castor Order code	Swivel castor with brake Order code	Wheel diameter (mm)	Tread width (mm)	Fitted height (mm)	Load capacity (kg)	Top plate size (mm)	Fixing hole centres (mm)	To suit fixing bolt
245A7082	245A7083	245A7084	100	35	150.5	160	135 x 110	105 x 80	M10
245A7100	245A7101	245A7102	125	48	178	200	135 x 110	105 x 80	M10
245A7121	245A7122	245A7123	160	42	205	300	135 x 110	105 x 80	M10
245A7136	245A7137	245A7138	200	37	245	400	135 x 110	105 x 80	M10
245A7151	245A7152	245A7153	250	40	294	550	135 x 110	105 x 80	M10

- Pressed steel, heavy duty castors.
- Plate fixing.
- Swivel, fixed or swivel with total stop brake.



## Plate fixing, polyurethane tyred aluminium wheel



- Ball journal bearing, polyurethane tyred wheel with aluminium centre.
- Suitable for lineside equipment, automotive applications, airside towing applications.
- Total stop brake locks both wheel and swivel head.

Swivel castor Order code	Fixed castor Order code	Swivel castor with brake Order code	Wheel diameter (mm)	Tread width (mm)	Fitted height (mm)	Load capacity (kg)	Top plate size (mm)	Fixing hole centres (mm)	To suit fixing bolt
245A7079	245A7080	245A7081	100	50	150.5	350	135 x 110	105 x 80	M10
245A7097	245A7098	245A7099	125	50	178	450	135 x 110	105 x 80	M10
245A7118	245A7119	245A7120	160	50	205	550	135 x 110	105 x 80	M10
245A7133	245A7134	245A7135	200	50	245	800	135 x 110	105 x 80	M10

## Plate fixing, crown tread polyurethane tyred wheel



- Ball journal bearing, polyurethane tyred wheel with aluminium centre.
- Crown tread for maximum manoeuvrability.
- Suitable for lineside equipment, automotive applications, airside towing applications.
- Total stop brake locks both wheel and swivel head.

Swivel castor Order code	Fixed castor Order code	Swivel castor with brake Order code	Wheel diameter (mm)	Tread width (mm)	Fitted height (mm)	Load capacity (kg)	Top plate size (mm)	Fixing hole centres (mm)	To suit fixing bolt
245A7085	245A7086	245A7087	100	45	150.5	300	135 x 110	105 x 80	M10
245A7103	245A7104	245A7105	125	45	178	350	135 x 110	105 x 80	M10
245A7115	245A7116	245A7117	150	45	200	450	135 x 110	105 x 80	M10
245A7139	245A7140	245A7141	200	45	245	520	135 x 110	105 x 80	M10

## Plate fixing, polyurethane tyred cast iron wheel



- Ball journal bearing, polyurethane tyred wheel with cast iron centre.
- Suitable for lineside equipment, automotive applications, airside towing applications.
- Total stop brake locks both wheel and swivel head.

Swivel castor Order code	Fixed castor Order code	Swivel castor with brake Order code	Wheel diameter (mm)	Tread width (mm)	Fitted height (mm)	Load capacity (kg)	Top plate size (mm)	Fixing hole centres (mm)	To suit fixing bolt
245A7094	245A7095	245A7096	100	49	150.5	350	135 x 110	105 x 80	M10
245A7112	245A7113	245A7114	125	50	178	450	135 x 110	105 x 80	M10
245A7130	245A7131	245A7132	160	50	205	800	135 x 110	105 x 80	M10
245A7148	245A7149	245A7150	200	50	245	800	135 x 110	105 x 80	M10
245A7157	245A7158	245A7159	250	50	294	1100	135 x 110	105 x 80	M10



- Fabricated steel, heavy duty castors.
- Plate fixing.
- Swivel, fixed, swivel with total stop brake or directional lock.

# Spartex

## Plate fixing, nylon wheel



- Ball journal bearing, nylon wheel.
- Suitable for platform trucks, lift trollies.
- Total stop brake locks both wheel and swivel head.
- 4 station directional lock for straight-line travel.

Swivel castor Order code	Fixed castor Order code	Swivel castor with brake Order code	Swivel castor with directional lock Order code	Wheel diameter (mm)	Tread width (mm)	Fitted height (mm)	Load capacity (kg)	Top plate size (mm)	Fixing hole centres (mm)	To suit fixing bolt
230A4195	230A4198	230A4195	230A4197	100	50	135	500	130 x 104	105 x 80	M10
230A4199	230A4202	230A4200	230A4201	125	50	159	600	130 x 104	105 x 80	M10
230A4203	230A4206	230A4204	230A4205	150	50	189	600	130 x 104	105 x 80	M10
230A4207	230A4210	230A4208	230A4209	200	50	238	800	130 x 104	105 x 80	M10

## Plate fixing, grey polyurethane tyred nylon wheel



- Ball journal bearing, grey polyurethane tyred wheel with nylon centre.
- Suitable for platform trucks, lift trollies.
- Total stop brake locks both wheel and swivel head.
- 4 station directional lock for straight-line travel.

Swivel castor Order code	Fixed castor Order code	Swivel castor with brake Order code	Swivel castor with directional lock Order code	Wheel diameter (mm)	Tread width (mm)	Fitted height (mm)	Load capacity (kg)	Top plate size (mm)	Fixing hole centres (mm)	To suit fixing bolt
230A4211	230A4214	230A4212	230A4213	100	40	135	300	130 x 104	105 x 80	M10
230A4215	230A4218	230A4216	230A4217	125	45	159	400	130 x 104	105 x 80	M10
230A4219	230A4222	230A4220	230A4221	150	50	189	500	130 x 104	105 x 80	M10
230A4223	230A4226	230A4224	230A4225	200	57	238	600	130 x 104	105 x 80	M10

## Plate fixing, rubber tyred wheel



- Ball journal bearing, rubber tyred wheel with aluminium centre.
- Suitable for platform trucks, lift trollies.
- Total stop brake locks both wheel and swivel head.
- 4 station directional lock for straight-line travel.

Swivel castor Order code	Fixed castor Order code	Swivel castor with brake Order code	Swivel castor with directional lock Order code	Wheel diameter (mm)	Tread width (mm)	Fitted height (mm)	Load capacity (kg)	Top plate size (mm)	Fixing hole centres (mm)	To suit fixing bolt
230A4227	230A4230	230A4228	230A4229	100	35	135	160	130 x 104	105 x 80	M10
230A4231	230A4235	230A4232	230A4234	125	48	159	200	130 x 104	105 x 80	M10
230A4236	230A4239	230A4237	230A4238	150	42	189	300	130 x 104	105 x 80	M10
230A4240	230A4243	230A4241	230A4242	200	37	238	400	130 x 104	105 x 80	M10

- Fabricated steel, heavy duty castors.
- Plate fixing.
- Swivel, fixed, swivel with total stop brake or directional lock.



## Plate fixing, polyurethane tyred aluminium wheel



- Ball journal bearing, polyurethane tyred wheel with aluminium centre.
- Suitable for platform trucks, lift trollies.
- Total stop brake locks both wheel and swivel head.
- 4 station directional lock for straight-line travel.

Swivel castor Order code	Fixed castor Order code	Swivel castor with brake Order code	Swivel castor with directional lock Order code	Wheel diameter (mm)	Tread width (mm)	Fitted height (mm)	Load capacity (kg)	Top plate size (mm)	Fixing hole centres (mm)	To suit fixing bolt
230A4244	230A4247	230A4245	230A4246	100	50	135	350	130 x 104	105 x 80	M10
230A4248	230A4251	230A4249	230A4250	125	50	159	450	130 x 104	105 x 80	M10
230A4252	230A4255	230A4253	230A4254	150	50	189	550	130 x 104	105 x 80	M10
230A4256	230A4259	230A4257	230A4258	200	50	238	600	130 x 104	105 x 80	M10

## Plate fixing, crown tread polyurethane tyred wheel



- Ball journal bearing, polyurethane tyred wheel with aluminium centre.
- Crown tread for maximum manoeuvrability.
- Suitable for platform trucks, lift trollies.
- Total stop brake locks both wheel and swivel head.
- 4 station directional lock for straight-line travel.

Swivel castor Order code	Fixed castor Order code	Swivel castor with brake Order code	Swivel castor with directional lock Order code	Wheel diameter (mm)	Tread width (mm)	Fitted height (mm)	Load capacity (kg)	Top plate size (mm)	Fixing hole centres (mm)	To suit fixing bolt
248A1221	248A1225	248A1229	248A1233	100	45	135	300	130 x 104	105 x 80	M10
248A1222	248A1226	248A1230	248A1234	125	45	159	350	130 x 104	105 x 80	M10
248A1223	248A1227	248A1231	248A1235	150	45	189	450	130 x 104	105 x 80	M10
248A1224	248A1228	248A1232	248A1236	200	45	238	520	130 x 104	105 x 80	M10

## Plate fixing, polyurethane tyred cast iron wheel



- Ball journal bearing, polyurethane tyred wheel with cast iron centre.
- Suitable for platform trucks, lift trollies.
- Total stop brake locks both wheel and swivel head.
- 4 station directional lock for straight-line travel.

Swivel castor Order code	Fixed castor Order code	Swivel castor with brake Order code	Swivel castor with directional lock Order code	Wheel diameter (mm)	Tread width (mm)	Fitted height (mm)	Load capacity (kg)	Top plate size (mm)	Fixing hole centres (mm)	To suit fixing bolt
230A4260	230A4263	230A4261	230A4262	100	49	135	350	130 x 104	105 x 80	M10
230A4264	230A4267	230A4265	230A4266	125	50	159	450	130 x 104	105 x 80	M10
230A4268	230A4271	230A4269	230A4270	150	50	189	600	130 x 104	105 x 80	M10
230A4272	230A4275	230A4273	230A4274	200	50	238	700	130 x 104	105 x 80	M10





- Fabricated steel, extra heavy duty castors.
- Plate fixing.
- Swivel, fixed, swivel with wheel brake or directional lock.

# Spartex

## Plate fixing, nylon wheel



- Ball journal bearing, nylon wheel.
- Suitable for platform trucks, lift trollies.
- Brake acts on wheel only.
- 4 station directional lock for straight-line travel (supplied loose, aligns with castor fixing holes).

\* Fixing holes are slotted and will accommodate M12 fixing bolts at 120 x 60mm centres.

Swivel castor Order code	Fixed castor Order code	Swivel castor with brake Order code	Swivel castor with directional lock Order code	Wheel diameter (mm)	Tread width (mm)	Fitted height (mm)	Load capacity (kg)	Top plate size (mm)	Fixing hole centres * (mm)	To suit fixing bolt *
230A4278	230A4308	230A4279	248A1237	100	50	152	600	150 x 110 (fixed=115)	105 x 80	M10
230A4284	230A4311	230A4285	248A1238	125	50	177	700	150 x 110 (fixed=115)	105 x 80	M10
230A4290	230A4314	230A4291	248A1239	150	50	202	800	150 x 110 (fixed=115)	105 x 80	M10
230A4296	230A4318	230A4297	248A1240	200	50	252	1200	150 x 110 (fixed=115)	105 x 80	M10
230A4302	230A4321	230A4303	248A1241	250	50	303	1200	150 x 110 (fixed=115)	105 x 80	M10

## Plate fixing, grey polyurethane tyred nylon wheel



- Ball journal bearing, grey polyurethane tyred wheel with nylon centre.
- Suitable for platform trucks, lift trollies.
- Brake acts on wheel only.
- 4 station directional lock for straight-line travel (supplied loose, aligns with castor fixing holes).

\* Fixing holes are slotted and will accommodate M12 fixing bolts at 120 x 60mm centres.

Swivel castor Order code	Fixed castor Order code	Swivel castor with brake Order code	Swivel castor with directional lock Order code	Wheel diameter (mm)	Tread width (mm)	Fitted height (mm)	Load capacity (kg)	Top plate size (mm)	Fixing hole centres * (mm)	To suit fixing bolt *
248A1242	248A1246	248A1250	248A1254	100	40	152	300	150 x 110 (fixed=115)	105 x 80	M10
248A1243	248A1247	248A1251	248A1255	125	45	177	400	150 x 110 (fixed=115)	105 x 80	M10
248A1244	248A1248	248A1252	248A1256	150	50	202	500	150 x 110 (fixed=115)	105 x 80	M10
248A1245	248A1249	248A1253	248A1257	200	57	252	800	150 x 110 (fixed=115)	105 x 80	M10

## Plate fixing, rubber tyred wheel



- Ball journal bearing, rubber tyred wheel with aluminium centre.
- Suitable for platform trucks, lift trollies.
- Brake acts on wheel only.
- 4 station directional lock for straight-line travel (supplied loose, aligns with castor fixing holes).

\* Fixing holes are slotted and will accommodate M12 fixing bolts at 120 x 60mm centres.

Swivel castor Order code	Fixed castor Order code	Swivel castor with brake Order code	Swivel castor with directional lock Order code	Wheel diameter (mm)	Tread width (mm)	Fitted height (mm)	Load capacity (kg)	Top plate size (mm)	Fixing hole centres * (mm)	To suit fixing bolt *
230A4276	230A4307	230A4277	248A1258	100	35	152	160	150 x 110 (fixed=115)	105 x 80	M10
230A4282	230A4310	230A4283	248A1259	125	48	177	200	150 x 110 (fixed=115)	105 x 80	M10
230A4288	230A4313	230A4289	248A1260	150	42	202	300	150 x 110 (fixed=115)	105 x 80	M10
230A4294	230A4316	230A4295	248A1261	200	37	252	400	150 x 110 (fixed=115)	105 x 80	M10
230A4300	230A4320	230A4301	248A1262	250	40	303	550	150 x 110 (fixed=115)	105 x 80	M10

- Fabricated steel, extra heavy duty castors.
- Plate fixing.
- Swivel, fixed, swivel with wheel brake or directional lock.



## Plate fixing, polyurethane tyred aluminium wheel



- Ball journal bearing, polyurethane tyred wheel with aluminium centre.
- Suitable for platform trucks, lift trollies.
- Brake acts on wheel only.
- 4 station directional lock for straight-line travel (supplied loose, aligns with castor fixing holes).

\* Fixing holes are slotted and will accommodate M12 fixing bolts at 120 x 60mm centres.

Swivel castor Order code	Fixed castor Order code	Swivel castor with brake Order code	Swivel castor with directional lock Order code	Wheel diameter (mm)	Tread width (mm)	Fitted height (mm)	Load capacity (kg)	Top plate size (mm)	Fixing hole centres * (mm)	To suit fixing bolt *
248A2756	248A2760	248A2764	248A2768	100	50	152	350	150 x 110 (fixed=115)	105 x 80	M10
248A2757	248A2761	248A2765	248A2769	125	50	177	450	150 x 110 (fixed=115)	105 x 80	M10
248A2758	248A2762	248A2766	248A2770	150	50	202	550	150 x 110 (fixed=115)	105 x 80	M10
248A2759	248A2763	248A2767	248A2771	200	50	252	800	150 x 110 (fixed=115)	105 x 80	M10

## Plate fixing, crown tread polyurethane tyred wheel



- Ball journal bearing, polyurethane tyred wheel with aluminium centre.
- Crown tread for maximum manoeuvrability.
- Suitable for platform trucks, lift trollies.
- Brake acts on wheel only.
- 4 station directional lock for straight-line travel (supplied loose, aligns with castor fixing holes).

\* Fixing holes are slotted and will accommodate M12 fixing bolts at 120 x 60mm centres.

Swivel castor Order code	Fixed castor Order code	Swivel castor with brake Order code	Swivel castor with directional lock Order code	Wheel diameter (mm)	Tread width (mm)	Fitted height (mm)	Load capacity (kg)	Top plate size (mm)	Fixing hole centres * (mm)	To suit fixing bolt *
248A2772	248A2776	248A2780	248A2784	100	45	152	300	150 x 110 (fixed=115)	105 x 80	M10
248A2773	248A2777	248A2781	248A2785	125	45	177	350	150 x 110 (fixed=115)	105 x 80	M10
248A2774	248A2778	248A2782	248A2786	150	45	202	450	150 x 110 (fixed=115)	105 x 80	M10
248A2775	248A2779	248A2783	248A2787	200	45	252	520	150 x 110 (fixed=115)	105 x 80	M10

## Plate fixing, polyurethane tyred cast iron wheel



- Ball journal bearing, polyurethane tyred wheel with cast iron centre.
- Suitable for platform trucks, lift trollies.
- Brake acts on wheel only.
- 4 station directional lock for straight-line travel (supplied loose, aligns with castor fixing holes).

\* Fixing holes are slotted and will accommodate M12 fixing bolts at 120 x 60mm centres.

Swivel castor Order code	Fixed castor Order code	Swivel castor with brake Order code	Swivel castor with directional lock Order code	Wheel diameter (mm)	Tread width (mm)	Fitted height (mm)	Load capacity (kg)	Top plate size (mm)	Fixing hole centres * (mm)	To suit fixing bolt *
230A4280	230A4309	230A4281	248A2788	100	49	152	350	150 x 110 (fixed=115)	105 x 80	M10
230A4286	230A4312	230A4287	248A2789	125	50	177	450	150 x 110 (fixed=115)	105 x 80	M10
230A4292	230A4315	230A4293	248A2790	150	50	202	800	150 x 110 (fixed=115)	105 x 80	M10
230A4298	230A4319	230A4299	248A2791	200	50	252	1000	150 x 110 (fixed=115)	105 x 80	M10
230A4304	230A4322	230A4305	248A1263	250	50	303	1300	150 x 110 (fixed=115)	105 x 80	M10



- Twinwheel, fabricated steel, extra heavy duty castors.
- Plate fixing.
- Swivel, fixed or swivel with directional lock.

# Spartex

## Plate fixing, nylon wheel



- Ball journal bearing, nylon wheel.
- Suitable for platform trucks, lift trollies.
- 4 station directional lock for straight-line travel (supplied loose, aligns with castor fixing holes).

\* Fixing holes are slotted and will accommodate M12 fixing bolts at 120 x 60mm centres.

Swivel castor Order code	Fixed castor Order code	Swivel castor with directional lock Order code	Wheel diameter (mm)	Tread width (mm)	Fitted height (mm)	Load capacity (kg)	Top plate size (mm)	Fixing hole centres * (mm)	To suit fixing bolt *
230A4334	230A4333	248A1264	100	50 x 2	166	900	150 x 110 (fixed=115)	105 x 80	M10
230A4336	230A4335	248A1265	125	50 x 2	192	1000	150 x 110 (fixed=115)	105 x 80	M10
230A4338	230A4337	248A1266	150	50 x 2	217	1200	150 x 110 (fixed=115)	105 x 80	M10
230A4340	230A4339	248A1267	200	50 x 2	267	1500	150 x 110 (fixed=115)	105 x 80	M10
230A4342	230A4341	248A1268	250	50 x 2	318	1500	150 x 110 (fixed=115)	105 x 80	M10

## Plate fixing, grey polyurethane tyred nylon wheel



- Ball journal bearing, grey polyurethane tyred wheel with nylon centre.
- Suitable for platform trucks, lift trollies.
- 4 station directional lock for straight-line travel (supplied loose, aligns with castor fixing holes).

\* Fixing holes are slotted and will accommodate M12 fixing bolts at 120 x 60mm centres.

Swivel castor Order code	Fixed castor Order code	Swivel castor with directional lock Order code	Wheel diameter (mm)	Tread width (mm)	Fitted height (mm)	Load capacity (kg)	Top plate size (mm)	Fixing hole centres * (mm)	To suit fixing bolt *
230A4344	230A4343	248A1269	100	40 x 2	166	450	150 x 110 (fixed=115)	105 x 80	M10
230A4346	230A4345	248A1270	125	45 x 2	192	550	150 x 110 (fixed=115)	105 x 80	M10
230A4348	230A4347	248A1271	150	49 x 2	217	650	150 x 110 (fixed=115)	105 x 80	M10
230A4350	230A4349	248A1272	200	57 x 2	267	1050	150 x 110 (fixed=115)	105 x 80	M10

## Plate fixing, rubber tyred wheel



- Ball journal bearing, rubber tyred wheel with aluminium centre.
- Suitable for platform trucks, lift trollies.
- 4 station directional lock for straight-line travel (supplied loose, aligns with castor fixing holes).

\* Fixing holes are slotted and will accommodate M12 fixing bolts at 120 x 60mm centres.

Swivel castor Order code	Fixed castor Order code	Swivel castor with directional lock Order code	Wheel diameter (mm)	Tread width (mm)	Fitted height (mm)	Load capacity (kg)	Top plate size (mm)	Fixing hole centres * (mm)	To suit fixing bolt *
230A4352	230A4351	248A1273	100	35 x 2	166	240	150 x 110 (fixed=115)	105 x 80	M10
230A4354	230A4353	248A1274	125	48 x 2	192	300	150 x 110 (fixed=115)	105 x 80	M10
230A4356	230A4355	248A1275	150	42 x 2	217	450	150 x 110 (fixed=115)	105 x 80	M10
230A4358	230A4357	248A1276	200	37 x 2	267	550	150 x 110 (fixed=115)	105 x 80	M10
230A4360	230A4359	248A1277	250	40 x 2	318	800	150 x 110 (fixed=115)	105 x 80	M10

- Twinwheel, fabricated steel, extra heavy duty castors.
- Plate fixing.
- Swivel, fixed or swivel with directional lock.



## Plate fixing, polyurethane tyred aluminium wheel



- Ball journal bearing, polyurethane tyred wheel with aluminium centre.
- Suitable for platform trucks, lift trollies.
- 4 station directional lock for straight-line travel.

\* Fixing holes are slotted and will accommodate M12 fixing bolts at 120 x 60mm centres.

Swivel castor Order code	Fixed castor Order code	Swivel castor with directional lock Order code	Wheel diameter (mm)	Tread width (mm)	Fitted height (mm)	Load capacity (kg)	Top plate size (mm)	Fixing hole centres * (mm)	To suit fixing bolt *
230A4362	230A4361	248A2792	100	50 x 2	166	475	150 x 110 (fixed=115)	105 x 80	M10
230A4365	230A4364	248A2793	125	50 x 2	192	575	150 x 110 (fixed=115)	105 x 80	M10
230A4367	230A4366	248A2794	150	50 x 2	217	800	150 x 110 (fixed=115)	105 x 80	M10
230A4369	230A4368	248A2795	200	50 x 2	267	1050	150 x 110 (fixed=115)	105 x 80	M10

## Plate fixing, polyurethane tyred cast iron wheel



- Ball journal bearing, polyurethane tyred wheel with cast iron centre.
- Suitable for platform trucks, lift trollies.
- 4 station directional lock for straight-line travel (supplied loose, aligns with castor fixing holes).

\* Fixing holes are slotted and will accommodate M12 fixing bolts at 120 x 60mm centres.

Swivel castor Order code	Fixed castor Order code	Swivel castor with directional lock Order code	Wheel diameter (mm)	Tread width (mm)	Fitted height (mm)	Load capacity (kg)	Top plate size (mm)	Fixing hole centres * (mm)	To suit fixing bolt *
230A4324	230A4323	248A2796	100	50 x 2	166	525	150 x 110 (fixed=115)	105 x 80	M10
230A4326	230A4325	248A2797	125	50 x 2	192	675	150 x 110 (fixed=115)	105 x 80	M10
230A4328	230A4327	248A2798	150	50 x 2	217	1200	150 x 110 (fixed=115)	105 x 80	M10
230A4330	230A4329	248A2799	200	50 x 2	267	1500	150 x 110 (fixed=115)	105 x 80	M10
230A4332	230A4331	248A1278	250	50 x 2	318	1500	150 x 110 (fixed=115)	105 x 80	M10





- Stainless steel castors.
- Plate fixing.
- Swivel, fixed or swivel with total stop brake.

# Spartex

## Plate fixing, stainless steel, nylon wheel



- 80 - 125mm: Plain bore nylon wheel.
- 160 - 200mm: Roller bearing nylon wheel.
- Suitable for catering, food production, medical, pharmaceutical and general wash-down applications.
- Total stop brake locks both wheel and swivel head.

**STAINLESS STEEL**

Swivel castor Order code	Fixed castor Order code	Swivel castor with brake Order code	Wheel diameter (mm)	Tread width (mm)	Fitted height (mm)	Load capacity (kg)	Top plate size (mm)	Fixing hole centres (mm)	To suit fixing bolt
230A4104	230A4138	230A4161	80	32	108	150	105 x 85 (fixed=102 x 87)	80 x 60	M8
230A4114	230A4143	230A4171	100	32	128	150	105 x 85 (fixed=102 x 87)	80 x 60	M8
230A4124	230A4148	230A4182	125	32	155	200	105 x 85 (fixed=102 x 87)	80 x 60	M8
230A4132	230A4153	230A4190	160	45	200	350	135 x 105 (fixed=135 x 114)	105 x 80	M10
230A4135	230A4156	230A4193	200	50	240	400	135 x 105 (fixed=135 x 114)	105 x 80	M10

## Plate fixing, stainless steel, grey rubber tyred wheel



- Ball journal bearing, grey rubber tyred wheel with nylon centre.
- Suitable for catering, food production, medical, pharmaceutical and general wash-down applications.
- Total stop brake locks both wheel and swivel head.

**STAINLESS STEEL**

Swivel castor Order code	Fixed castor Order code	Swivel castor with brake Order code	Wheel diameter (mm)	Tread width (mm)	Fitted height (mm)	Load capacity (kg)	Top plate size (mm)	Fixing hole centres (mm)	To suit fixing bolt
230A4102	230A4137	230A4159	80	32	108	70	105 x 85 (fixed=102 x 87)	80 x 60	M8
230A4112	230A4142	230A4169	100	35	128	125	105 x 85 (fixed=102 x 87)	80 x 60	M8
230A4122	230A4147	230A4180	125	40	155	160	105 x 85 (fixed=102 x 87)	80 x 60	M8
230A4131	230A4152	230A4189	160	45	200	200	135 x 105 (fixed=135 x 114)	105 x 80	M10
230A4134	230A4155	230A4192	200	45	240	200	135 x 105 (fixed=135 x 114)	105 x 80	M10

## Plate fixing, stainless steel, polyurethane tyred wheel



- Roller bearing, polyurethane tyred wheel with nylon centre.
- Suitable for catering, food production, medical, pharmaceutical and general wash-down applications.
- Total stop brake locks both wheel and swivel head.

**STAINLESS STEEL**

Swivel castor Order code	Fixed castor Order code	Swivel castor with brake Order code	Wheel diameter (mm)	Tread width (mm)	Fitted height (mm)	Load capacity (kg)	Top plate size (mm)	Fixing hole centres (mm)	To suit fixing bolt
230A4110	230A4141	230A4167	80	32	108	150	105 x 85 (fixed=102 x 87)	80 x 60	M8
230A4120	230A4146	230A4178	100	32	128	150	105 x 85 (fixed=102 x 87)	80 x 60	M8
230A4130	230A4151	230A4188	125	32	155	200	105 x 85 (fixed=102 x 87)	80 x 60	M8
230A4133	230A4154	230A4191	160	45	200	350	135 x 105 (fixed=135 x 114)	105 x 80	M10
230A4136	230A4157	230A4194	200	50	240	400	135 x 105 (fixed=135 x 114)	105 x 80	M10

- Stainless steel castors.
- Single hole fixing.
- Swivel or swivel with total stop brake.



## Single hole fixing, stainless steel, nylon wheel



- Plain bore nylon wheel.
- Suitable for catering, food production, medical, pharmaceutical and general wash-down applications.
- Total stop brake locks both wheel and swivel head.

**STAINLESS STEEL**

Swivel castor Order code	Swivel castor with brake Order code	Wheel diameter (mm)	Tread width (mm)	Fitted height (mm)	Load capacity (kg)	To suit fixing bolt
230A4103	230A4160	80	32	108	150	M12
230A4113	230A4170	100	32	128	150	M12
230A4123	230A4181	125	32	155	200	M12

## Single hole fixing, stainless steel, grey rubber tyred wheel



- Ball journal bearing, grey rubber tyred wheel with nylon centre.
- Suitable for catering, food production, medical, pharmaceutical and general wash-down applications.
- Total stop brake locks both wheel and swivel head.

**STAINLESS STEEL**

Swivel castor Order code	Swivel castor with brake Order code	Wheel diameter (mm)	Tread width (mm)	Fitted height (mm)	Load capacity (kg)	To suit fixing bolt
230A4101	230A4158	80	32	108	70	M12
230A4111	230A4168	100	35	128	125	M12
230A4121	230A4179	125	40	155	160	M12

## Single hole fixing, stainless steel, polyurethane tyred wheel



- Roller bearing, polyurethane tyred wheel with nylon centre.
- Suitable for catering, food production, medical, pharmaceutical and general wash-down applications.
- Total stop brake locks both wheel and swivel head.

**STAINLESS STEEL**

Swivel castor Order code	Swivel castor with brake Order code	Wheel diameter (mm)	Tread width (mm)	Fitted height (mm)	Load capacity (kg)	To suit fixing bolt
230A4109	230A4169	80	32	108	150	M12
230A4119	230A4177	100	32	128	150	M12
230A4129	230A4187	125	32	155	200	M12



- High temperature castors.
- Plate fixing, single hole fixing.
- Swivel, fixed or swivel with total stop brake.

# Spartex

## Plate fixing, stainless steel, high temperature thermoplastic wheel



- Plain bore, thermoplastic wheel.
- Effective temperature range: -40°C to +270°C.
- Suitable for catering, food production, bakery, autoclave applications.
- Total stop brake locks both wheel and swivel head.

**HIGH TEMPERATURE**

**STAINLESS STEEL**

Swivel castor Order code	Fixed castor Order code	Swivel castor with brake Order code	Wheel diameter (mm)	Tread width (mm)	Fitted height (mm)	Load capacity (kg)	Top plate size (mm)	Fixing hole centres (mm)	To suit fixing bolt
230A4371	230A4374	230A4383	80	30	106	150	102 x 83	80 x 60	M8
230A4372	230A4375	230A4384	100	30	128	150	102 x 83	80 x 60	M8
230A4373	230A4376	230A4385	125	35	160	250	102 x 83	80 x 60	M8

## Single hole fixing, stainless steel, high temperature thermoplastic wheel



- Plain bore, thermoplastic wheel.
- Effective temperature range: -40°C to +270°C.
- Suitable for catering, food production, bakery, autoclave applications.
- Total stop brake locks both wheel and swivel head.

**HIGH TEMPERATURE**

**STAINLESS STEEL**

Swivel castor Order code	Swivel castor with brake Order code	Wheel diameter (mm)	Tread width (mm)	Fitted height (mm)	Load capacity (kg)	To suit fixing bolt
230A4386	230A4387	80	30	106	150	M12
230A4388	230A4389	100	30	128	150	M12
230A4390	230A4391	125	35	160	250	M14

## Single hole fixing, high temperature thermoplastic wheel



- Plain bore, thermoplastic wheel.
- Effective temperature range: -40°C to +270°C.
- Suitable for catering, food production, bakery, autoclave applications.
- Total stop brake locks both wheel and swivel head.

**HIGH TEMPERATURE**

Swivel castor Order code	Swivel castor with brake Order code	Wheel diameter (mm)	Tread width (mm)	Fitted height (mm)	Load capacity (kg)	To suit fixing bolt
230A4395	230A4396	80	30	106	120	M12
230A4397	230A4398	100	30	128	120	M12
230A4399	230A4400	125	35	160	200	M14

## Plate fixing, high temperature thermoplastic wheel



- Plain bore, thermoplastic wheel.
- Effective temperature range: -40°C to +270°C.
- Suitable for catering, food production, bakery, autoclave applications.
- Total stop brake locks both wheel and swivel head.

**HIGH TEMPERATURE**

Swivel castor Order code	Fixed castor Order code	Swivel castor with brake Order code	Wheel diameter (mm)	Tread width (mm)	Fitted height (mm)	Load capacity (kg)	Top plate size (mm)	Fixing hole centres (mm)	To suit fixing bolt
230A4377	230A4380	230A4392	80	30	106	120	102 x 83	80 x 60	M8
230A4378	230A4381	230A4393	100	30	128	120	102 x 83	80 x 60	M8
230A4379	230A4382	230A4394	125	35	160	200	102 x 83	80 x 60	M8

- Pneumatic castors, waste castors
- Plate fixing.
- Swivel, fixed or swivel with total stop brake.



## Plate fixing, pneumatic tyred wheel with polypropylene centre



- Roller bearing, pneumatic tyred wheel with polypropylene centre.
- 200mm: Ribbed tread, black centre.
- 260mm: Patterned tread, red centre (pictured).
- Total stop brake locks both wheel and swivel head.

Swivel castor Order code	Fixed castor Order code	Swivel castor with brake Order code	Wheel diameter (mm)	Tread width (mm)	Fitted height (mm)	Load capacity (kg)	Top plate size (mm)	Fixing hole centres (mm)	To suit fixing bolt
2516325	2516327	2516329	200	50	235	75	140 x 110	105 x 80	M10
45032303	45032304	2516330	260	85	307	150	200 x 160	150 x 115	M12

## Plate fixing, pneumatic tyred wheel with pressed steel centre



- Roller bearing, pneumatic tyred wheel with pressed steel centre.
- 200mm: Ribbed tread.
- 260mm: Patterned tread (pictured).
- Total stop brake locks both wheel and swivel head.

Swivel castor Order code	Fixed castor Order code	Swivel castor with brake Order code	Wheel diameter (mm)	Tread width (mm)	Fitted height (mm)	Load capacity (kg)	Top plate size (mm)	Fixing hole centres (mm)	To suit fixing bolt
2588258	2516333	2516335	200	50	235	75	140 x 110	105 x 80	M10
45032305	45032306	45032307	260	85	307	150	200 x 160	150 x 115	M12

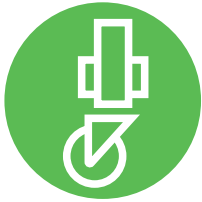
## Waste container castors, plate fixing, rubber tyred wheel with pressed steel centre



- Roller bearing, rubber tyred wheel with pressed steel centre.
- Suitable for 1100 litre waste containers.
- EN 840 compliant.
- 200mm: Choice of trailing or leading total stop brake.

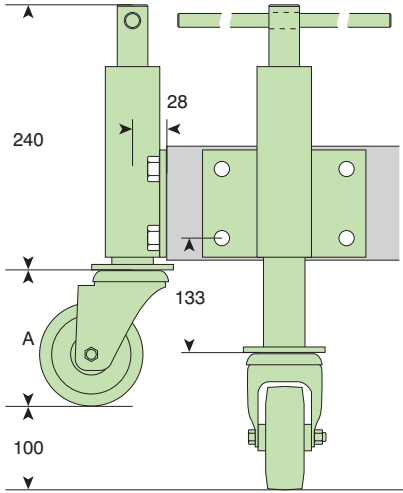
Swivel castor Order code	Swivel castor with trailing brake Order code	Swivel castor with leading brake Order code	Wheel diameter (mm)	Tread width (mm)	Fitted height (mm)	Load capacity (kg)	Top plate size (mm)	Fixing hole centres (mm)	To suit fixing bolt
45032312	45032313		160	40	200	135	135 x 110	105 x 80	M10
45032310	45032311	2588259	200	49	239	205	135 x 110	105 x 80	M10





- Jacking castors.
- Side plate fixing.
- Swivel or swivel with total stop brake.

## Jacking castors, side plate fixing



- Supplied complete with 'tommy' bar.
- If unit is to be fitted with 4 jacking castors which are raised in turn (i.e. not simultaneously), a wise precaution is to divide total load by 2 when determining load capacity required.
- Total stop brake locks both wheel and swivel head.



- Roller bearing, nylon wheel.

Swivel castor Order code	Swivel castor with brake Order code	Wheel diameter (mm)	Tread width (mm)	A (mm)	Load capacity (kg)	Top plate size (mm)	Fixing hole centres (mm)	To suit fixing bolt
248A1279	248A1281	100	32	132	250	151 x 98	114 x 63.5	M14
248A1280	248A1282	125	38	155	250	151 x 98	114 x 63.5	M14



- Roller bearing, blue rubber tyred wheel with nylon centre.

Swivel castor Order code	Swivel castor with brake Order code	Wheel diameter (mm)	Tread width (mm)	A (mm)	Load capacity (kg)	Top plate size (mm)	Fixing hole centres (mm)	To suit fixing bolt
248A1283	248A1285	100	32	132	160	151 x 98	114 x 63.5	M14
248A1284	248A1286	125	38	155	200	151 x 98	114 x 63.5	M14



- Roller bearing, polyurethane tyred wheel with nylon centre.

Swivel castor Order code	Swivel castor with brake Order code	Wheel diameter (mm)	Tread width (mm)	A (mm)	Load capacity (kg)	Top plate size (mm)	Fixing hole centres (mm)	To suit fixing bolt
248A1287	248A1289	100	32	132	250	151 x 98	114 x 63.5	M14
248A1288	248A1290	125	38	155	250	151 x 98	114 x 63.5	M14

- CARRYMASTER levelling castors.
- Plate fixing, thread fixing.
- Gate castors.
- Side plate fixing.



## CARRYMASTER, plate fixing



- 42-72mm: Plain bore black nylon wheel.
- 92mm: Plain bore blue nylon wheel.
- Swivel castor with integrated levelling foot.
- Suitable for accurate positioning and height adjustment of mobile equipment.

Swivel castor Order code	Wheel diameter (mm)	Tread width (mm)	Fitted height min - max (mm)	Load capacity (kg)	Top plate size (mm)	Fixing hole centres (mm)	To suit fixing bolt
2516171	42	18	71 - 81	50	55 x 55	42 x 42	M6
45032295	50	22	83 - 93	300	73 x 73	58 x 58	M6
45032296	62	29	102 - 117	600	90 x 90	70 x 70	M8
45032297	72	31	120 - 138	1000	95 x 95	70 x 70	M10
45032298	72	31	121 - 139	1300	95 x 95	70 x 70	M10
45032299	92	54	130 - 155	1800	100 x 100	70 x 70	M12

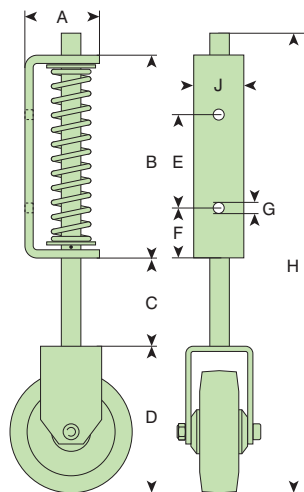
## CARRYMASTER, thread fixing



- Plain bore black nylon wheel.
- Swivel castor with integrated levelling foot.
- M12 tapped fixing hole.
- Suitable for accurate positioning and height adjustment of mobile equipment.

Swivel castor Order code	Wheel diameter (mm)	Tread width (mm)	Fitted height min - max (mm)	Load capacity (kg)	To suit fixing bolt
45032300	42	18	71 - 81	50	M12
45032301	50	22	83 - 93	300	M12

## Gate castor, side plate fixing



- Ball journal bearing, rubber tyred wheel with cast iron centre.
- Spring loaded to run on uneven ground.

Order code	Wheel diameter (mm)	A (mm)	B (mm)	C (mm)	D (mm)	E (mm)	F (mm)	G (mm)	H (mm)	J (mm)
45032302	100	65	159	64	143	85	37	8	385	41



- Rubber tyred wheels.
- Puncture proof wheels.

# Spartex



## Rubber tyred wheel

- Red polypropylene centre.
- Black rubber tyre.

Order code	Wheel diameter (mm)	Bearing type	Tread width (mm)	Hub width (mm)	Hub bore	Load capacity (kg)
2516361	160	Plain	40	51	1/2"	150
2516362	160	Plain	40	51	3/4"	150
2588269	160	Plain	40	51	1"	150
2516363	160	Roller	40	60	1"	150
2588270	160	Plain	40	60	20mm	150
2588271	180	Plain	47	51	1/2"	175
2588272	180	Plain	47	51	3/4"	175
80140742	180	Plain	47	51	1"	175
248A1291	180	Roller	47	51	1"	175
2588273	180	Plain	47	60	20mm	175
45032320	200	Plain	50	51	1/2"	200
2516365	200	Plain	50	51	3/4"	200
45032321	200	Plain	50	51	1"	200
2516366	200	Roller	50	51	1"	200
80142349	200	Plain	50	60	20mm	200
2588274	200	Roller	50	60	20mm	200
2588275	250	Plain	60	51	3/4"	275
2516368	250	Plain	60	55	1"	275
2516369	250	Roller	60	55	1"	275
2588276	250	Plain	60	60	20mm	275
2588277	250	Roller	60	60	20mm	275



## Rubber tyred wheel

- Red pressed steel centre except
- Ball bearing wheels up to 400mm: Black centre.
- 455mm: White centre.
- Black rubber tyre.

Order code	Wheel diameter (mm)	Bearing type	Tread width (mm)	Hub width (mm)	Hub bore	Load capacity (kg)
2516207	330	Plain	70	66	1"	300
2516208	330	Roller	70	63	1"	300
2516209	330	Ball	70	83	1"	300
2516210	350	Plain	75	66	1"	400
2516211	350	Roller	75	63	1"	400
2516212	350	Ball	75	83	1"	400
2516213	400	Plain	90	66	1"	600
2516214	400	Roller	90	63	1"	600
2516215	400	Ball	90	83	1"	600
2516216	450	Ball	115	75	30mm	1100
2516217	450	Ball	115	75	35mm	1100



## Rubber tyred wheel

- Red polypropylene centre.
- Black rubber tyre.

Order code	Wheel diameter (mm)	Bearing type	Tread width (mm)	Hub width (mm)	Hub bore	Load capacity (kg)
2516376	200	Plain	76	76	1"	250
2516189	200	Roller	76	63	1"	250
45032318	280	Plain	80	66	1"	250
2516191	280	Roller	80	75	1"	250
2516192	330	Plain	70	66	1"	250
2516193	330	Roller	70	75	1"	250
45032319	355	Plain	75	66	1"	300
2516195	355	Roller	75	63	1"	300
2516196	405	Plain	90	66	1"	350
2516197	405	Roller	90	63	1"	350



## Puncture proof wheels

- Red polypropylene centre.
- Black closed cell microcellular polyurethane tyre.
- 220, 370mm: Ribbed tread.
- 260, 285, 390mm: Patterned tread.

Order code	Wheel diameter (mm)	Bearing type	Tread width (mm)	Hub width (mm)	Hub bore	Load capacity (kg)
248A1292	200	Plain	52	60	20mm	50
248A1293	200	Roller	52	60	20mm	50
248A2800	200	Plain	52	60	25mm	50
248A2801	200	Roller	52	60	25mm	50
248A2802	200	Plain	52	60	1"	50
248A2803	200	Roller	52	60	1"	50
239A4831	260	Plain	75	75	20mm	200
228A1505	260	Roller	75	75	20mm	200
2588284	260	Plain	75	75	25mm	200
2516237	260	Roller	75	75	25mm	200
2588285	260	Plain	75	75	1"	200
2588286	260	Roller	75	75	1"	200
248A1294	285	Plain	88	75	20mm	150
248A1295	285	Roller	88	75	20mm	150
248A2804	285	Plain	88	75	25mm	150
248A2805	285	Roller	88	75	25mm	150
248A2806	285	Plain	88	75	1"	150
248A2807	285	Roller	88	75	1"	150
248A1296	370	Plain	80	65	20mm	218
248A1297	370	Roller	80	65	20mm	218
248A2808	370	Plain	80	65	25mm	218
248A2809	370	Roller	80	65	25mm	218
248A2810	370	Plain	80	65	1"	218
248A2811	370	Roller	80	65	1"	218
2516240	390	Plain	90	65	20mm	200
2516241	390	Roller	90	65	20mm	200
2516242	390	Plain	90	65	25mm	200
2516243	390	Roller	90	65	25mm	200
2588287	390	Plain	90	65	1"	200
248A2812	390	Roller	90	65	1"	200



## Rubber tyred wheel

- Pressed steel centre.
- Black rubber tyre.

Order code	Wheel diameter (mm)	Bearing type	Tread width (mm)	Hub width (mm)	Hub bore (mm)	Load capacity (kg)
230A4401	160	Roller	40	58	20	150
230A4402	200	Roller	50	58	20	205
230A4403	200	Roller	50	58	25	205
230A4404	250	Roller	60	75	25	300
230A4405	300	Roller	70	75	25	300



## Pneumatic tyred wheel



- Red polypropylene centre.
- Black pneumatic rubber tyre.
- 220-355mm: Patterned tread.
- 400mm: Ribbed tread.
- Max. inflation: 30psi

Order code	Wheel diameter (mm)	Bearing type	Tread width (mm)	Hub width (mm)	Hub bore	Load capacity (kg)
2588301	200	Plain	65	75	20mm	80
2588302	200	Roller	65	75	20mm	80
2588303	200	Plain	65	75	25mm	80
2588304	200	Roller	65	75	25mm	80
45032327	200	Plain	65	75	1"	80
2516219	200	Roller	65	75	1"	80
2588305	260	Plain	85	75	20mm	120
2588306	260	Roller	85	75	20mm	120
2588307	260	Plain	85	75	25mm	120
2588308	260	Roller	85	75	25mm	120
45032328	260	Plain	85	75	1"	120
2516221	260	Roller	85	75	1"	120
2588309	300	Plain	100	75	20mm	150
2588310	300	Roller	100	75	20mm	150
2588311	300	Plain	100	75	25mm	150
2588312	300	Roller	100	75	25mm	150
2516222	300	Plain	100	75	1"	150
2516223	300	Roller	100	75	1"	150
2588313	355	Plain	100	66	20mm	185
2588314	355	Roller	100	66	20mm	185
2588315	355	Plain	100	66	25mm	185
2588316	355	Roller	100	66	25mm	185
2588317	355	Plain	100	66	1"	185
2588318	355	Roller	100	66	1"	185
2588319	400	Plain	100	66	20mm	200
2588320	400	Roller	100	66	20mm	200
2588321	400	Plain	100	66	25mm	200
2588322	400	Roller	100	66	25mm	200
45032329	400	Plain	100	66	1"	200
2516225	400	Roller	100	66	1"	200

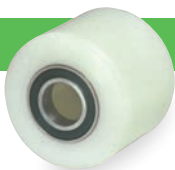
## Pneumatic tyred wheel



- Red pressed steel centre.
- Black pneumatic rubber tyre.
- 220 - 355mm: Patterned tread.
- 400mm: Ribbed tread.
- Max. inflation: 30psi

Order code	Wheel diameter (mm)	Bearing type	Tread width (mm)	Hub width (mm)	Hub bore	Load capacity (kg)
2588323	200	Plain	65	66	20mm	80
2588324	200	Roller	65	66	20mm	80
2588325	200	Plain	65	66	25mm	80
2588326	200	Roller	65	66	25mm	80
2516226	200	Plain	65	66	1"	80
2516227	200	Roller	65	66	1"	80
2588327	260	Plain	85	66	20mm	120
2588328	260	Roller	85	66	20mm	120
2588329	260	Plain	85	66	25mm	120
2588330	260	Roller	85	66	25mm	120
2516228	260	Plain	85	66	1"	120
2516229	260	Roller	85	66	1"	120
2588331	300	Plain	100	66	20mm	150
2588332	300	Roller	100	66	20mm	150
2588333	300	Plain	100	66	25mm	150
2588334	300	Roller	100	66	25mm	150
2516230	300	Plain	100	66	1"	150
2516231	300	Roller	100	66	1"	150
2588335	355	Plain	100	66	20mm	185
2588336	355	Roller	100	66	20mm	185
2588337	355	Plain	100	66	25mm	185
2588338	355	Roller	100	66	25mm	185
2588339	355	Plain	100	66	1"	185
2588340	355	Roller	100	66	1"	185
2588341	400	Plain	100	66	20mm	200
2588342	400	Roller	100	66	20mm	200
2588343	400	Plain	100	66	25mm	200
2588344	400	Roller	100	66	25mm	200
2516232	400	Plain	100	66	1"	200
2516233	400	Roller	100	66	1"	200

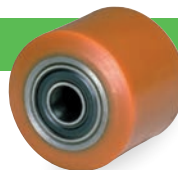
## Nylon roller



- White nylon.
- Suitable for pallet trucks.

Order code	Wheel diameter (mm)	Bearing type	Tread width (mm)	Bearing seat (mm)	Hub bore (mm)	Load capacity (kg)
248A1298	82	Ball	70	47 x 14	20	650
248A2813	82	Ball	80	47 x 14	20	750
248A2814	82	Ball	98	47 x 14	20	950
248A1299	85	Ball	80	47 x 14	20	800

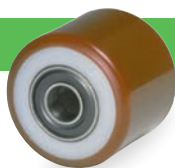
## Polyurethane tyred roller



- Steel centre.
- Polyurethane tyre.
- Suitable for pallet trucks.

Order code	Wheel diameter (mm)	Bearing type	Tread width (mm)	Bearing seat (mm)	Hub bore (mm)	Load capacity (kg)
248A1301	75	Ball	50	47 x 14	20	400
248A2817	82	Ball	50	47 x 14	20	500
248A2818	82	Ball	60	47 x 14	20	600
248A2819	82	Ball	70	47 x 14	20	700
248A2820	82	Ball	75	47 x 14	20	750
248A2821	82	Ball	80	47 x 14	20	800
248A2822	82	Ball	100	47 x 14	20	1000
248A1302	85	Ball	70	47 x 14	20	700
248A2823	85	Ball	75	47 x 14	20	750
248A2824	85	Ball	80	47 x 14	20	800
248A2825	85	Ball	90	47 x 14	20	900
248A2826	85	Ball	100	47 x 14	20	1000

## Polyurethane tyred roller



- Nylon centre.
- Polyurethane tyre.
- Suitable for pallet trucks.

Order code	Wheel diameter (mm)	Bearing type	Tread width (mm)	Bearing seat (mm)	Hub bore (mm)	Load capacity (kg)
248A1300	82	Ball	70	47 x 14	20	500
248A2815	82	Ball	90	47 x 14	20	650
248A2816	82	Ball	100	47 x 14	20	750





- Solid nylon, cast iron wheels.
- Rubber, polyurethane tyred wheels.

# Spartex



## Nylon wheel

- White nylon.

Order code	Wheel diameter (mm)	Bearing type	Tread width (mm)	Hub width (mm)	Hub bore (mm)	Load capacity (kg)
248A1303	100	Ball	50	60	20	350
248A1304	125	Ball	50	60	20	700
248A1305	150	Ball	50	60	20	800
248A1306	160	Ball	50	60	20	850
248A1307	200	Ball	50	60	20	1200
248A1308	250	Ball	50	60	20	1200



## Polyurethane tyred wheel

- Nylon centre.
- Grey polyurethane tyre.

Order code	Wheel diameter (mm)	Bearing type	Tread width (mm)	Hub width (mm)	Hub bore (mm)	Load capacity (kg)
230A4414	100	Ball	40	40	15	300
230A4415	125	Ball	45	49	20	400
230A4416	150	Ball	50	55	20	500
230A4417	160	Ball	50	55	20	500
230A4418	200	Ball	57	60	20	800



## Cast iron wheel

- Black painted cast iron.

Order code	Wheel diameter (mm)	Bearing type	Tread width (mm)	Hub width (mm)	Hub bore (mm)	Load capacity (kg)
248A1309	75	Plain	32	40	12	170
248A1310	100	Plain	38	45	15	450
248A1311	100	Ball	50	60	20	450
248A1312	125	Ball	40	60	20	630
248A1313	150	Ball	45	60	20	1180
248A1314	200	Ball	45	60	20	1270
248A1315	250	Ball	50	60	25	1360



## Polyurethane tyred wheel

- Aluminium centre.
- Green polyurethane tyre.
- Crown tread developed for towing applications.

Order code	Wheel diameter (mm)	Bearing type	Tread width (mm)	Hub width (mm)	Hub bore (mm)	Load capacity (kg)
248A1320	100	Ball	40	60	17	300
248A1321	125	Ball	40	60	17	350
248A1322	150	Ball	40	60	17	450
248A1323	200	Ball	40	60	17	520



## Rubber tyred wheel

- Aluminium centre.
- Black rubber tyre.

Order code	Wheel diameter (mm)	Bearing type	Tread width (mm)	Hub width (mm)	Hub bore (mm)	Load capacity (kg)
230A4420	100	Ball	35	45	20	160
230A4422	125	Ball	48	60	20	200
230A6034	150	Ball	42	60	20	300
230A6035	160	Ball	42	60	20	350
230A6036	200	Ball	37	60	20	400
230A6037	250	Ball	40	60	25	550



## Polyurethane tyred wheel

- Aluminium centre.
- Polyurethane tyre.

Order code	Wheel diameter (mm)	Bearing type	Tread width (mm)	Hub width (mm)	Hub bore (mm)	Load capacity (kg)
230A6039	100	Ball	50	60	20	350
230A6041	125	Ball	50	60	20	450
230A6042	150	Ball	50	60	20	550
230A6043	160	Ball	50	60	20	550
230A6044	200	Ball	50	60	20	800



## Rubber tyred wheel

- Cast iron centre.
- Black rubber tyre.

Order code	Wheel diameter (mm)	Bearing type	Tread width (mm)	Hub width (mm)	Hub bore (mm)	Load capacity (kg)
248A1316	150	Ball	50	60	20	400
248A1317	200	Ball	50	60	20	600
248A1318	250	Ball	50	60	25	680
248A1319	300	Ball	50	60	25	750



## Polyurethane tyred wheel

- Cast iron centre.
- Polyurethane tyre.

Order code	Wheel diameter (mm)	Bearing type	Tread width (mm)	Hub width (mm)	Hub bore (mm)	Load capacity (kg)
230A6046	100	Ball	49	60	20	350
230A6048	125	Ball	50	60	20	450
230A6049	150	Ball	50	60	20	800
230A6050	160	Ball	50	60	20	800
230A6051	200	Ball	50	60	20	1000
230A6052	250	Ball	50	60	25	1300

# Spartex

all  
essentials  
covered.



**SPARTEX, exclusively available from Rubix, Europe's largest supplier of industrial products.**

All your essentials covered with guaranteed availability for any European site, at a quality that gets the job done.

With branches nationwide we're just down the road.

**Call 0870 240 2100**  
from a landline to be transferred to  
your nearest branch

or visit

**[uk.rubix.com](http://uk.rubix.com)**  
to search for your nearest branch and  
their contact details